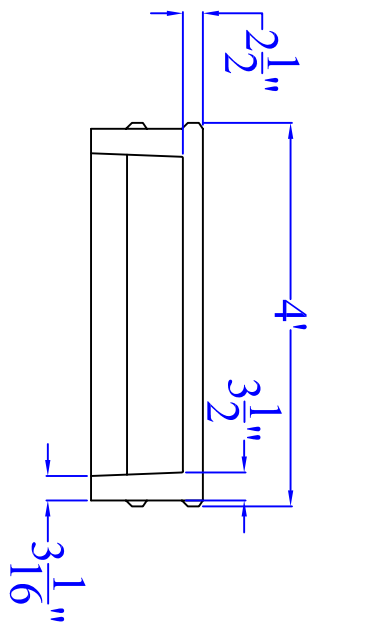
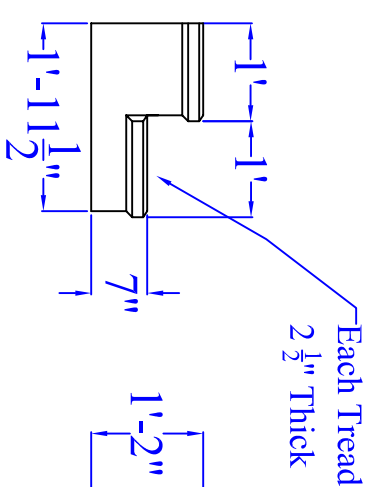


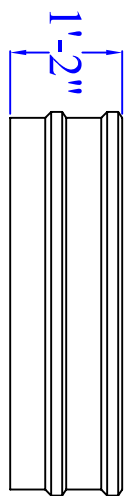
Type: 2 Step  
 Width: 48"  
 Height: 14"  
 Length: 24"  
 Number of Molds:  
 Available: Various





Back Side View



Left Side View



Front Side View

	
Item Number: S027	
Mold Number: Various	
	
Oberfield's, Inc. 1165 Alum Creek Dr. Columbus, OH 43209 800-845-7644	
Oberfield Precast Concrete	
Part Number: 1-25-06	Date: 1'-0"