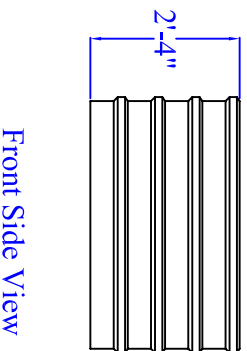
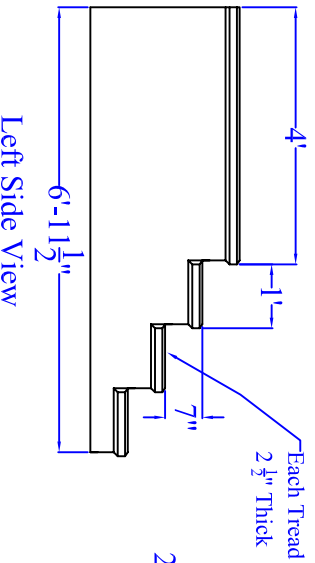
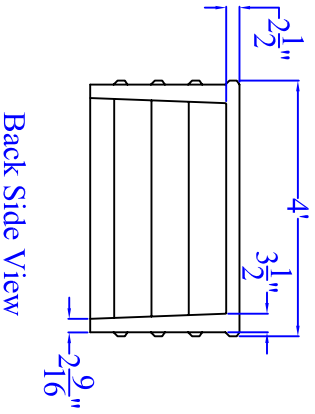


Type: 4 Step
48" Platform

Width: 48"
Height: 28"
Length: 84"

Number of Molds
Available: Various



Item Number:
S04748

Mold Number:
Various



No.	Revision/Phase	Date

Oberfield's, Inc.
1165 Alum Creek Dr.
Columbus, OH 43209
800-845-7644

Oberfield Precast
Concrete

Model	Material
1-25-06	
1" = 1'-0"	