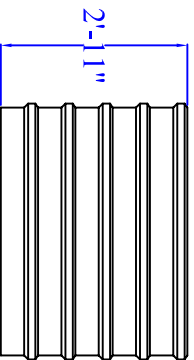


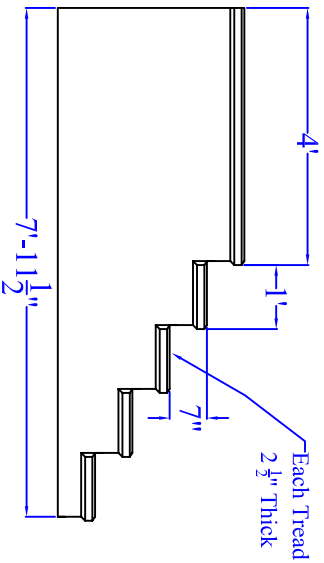
Type: 5 Step
48" Platform

Width: 48"
Height: 35"
Length: 96"

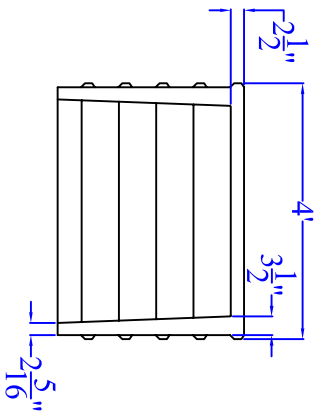
Number of Molds
Available: Various



Front Side View



Left Side View



Back Side View

Item Number:
S05748

Mold Number:
Various



No.	Revision/Phase	Date

Oberfield's, Inc.
1165 Alum Creek Dr.
Columbus, OH 43209
800-845-7644

Oberfield Precast
Concrete

Model	Material
1-25-06	

1" = 1'-0"