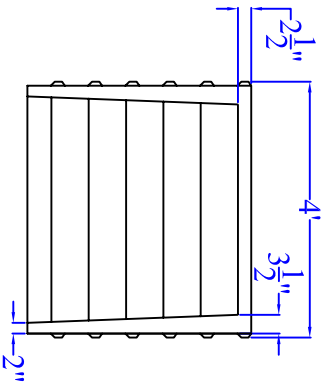


Type: 6 Step
48" Platform

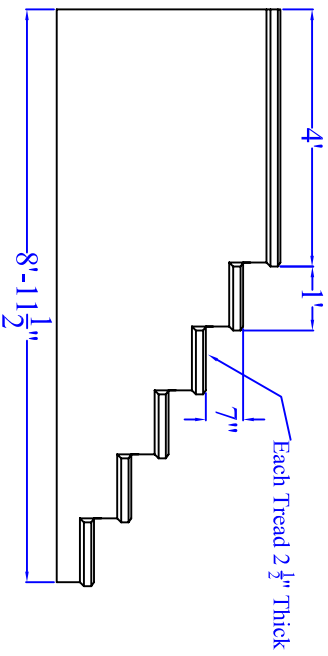
Width: 48"
Height: 42"
Length: 108"

Number of Molds
Available: Various

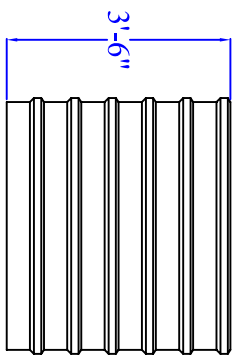
Back Side View



Left Side View



Front Side View



Item Number:
S06748
Mold Number:
Various



Oberfield's, Inc.
1165 Alum Creek Dr.
Columbus, OH 43209
800-845-7644

Oberfield Precast
Concrete

Model: 1-25-06
Scale: 1/8" = 1'-0"