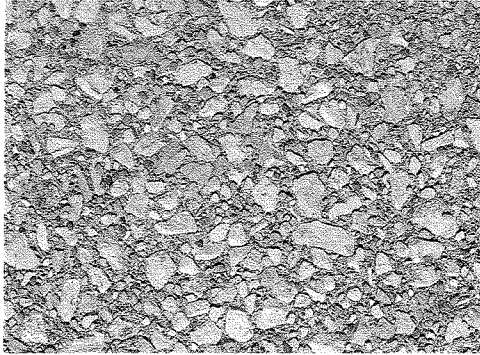
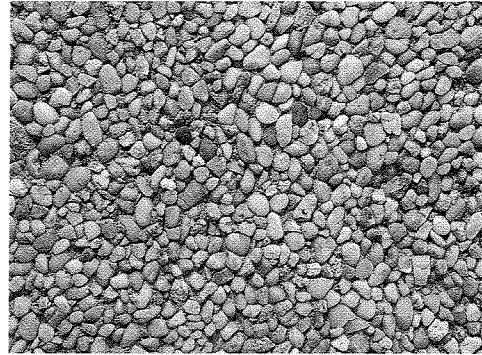


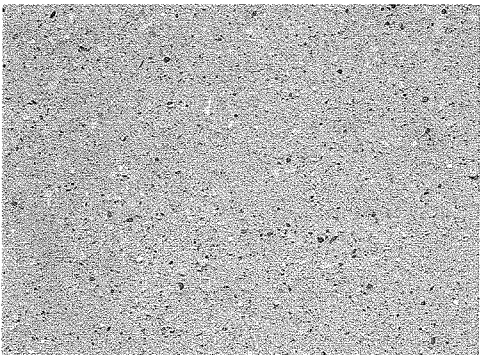
PRECAST CONCRETE FINISHES



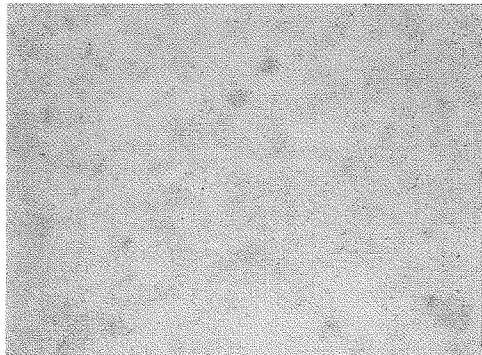
EXPOSED AGGREGATE #1
GRAY CRUSHED LIMESTONE
3/4" TOP SIZE



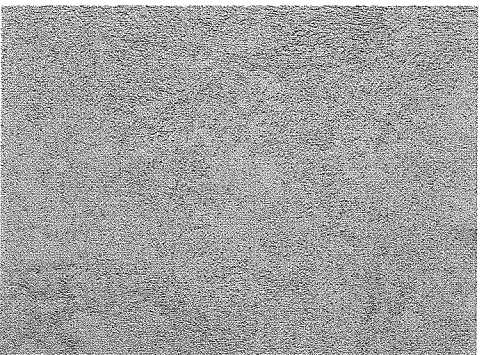
EXPOSED AGGREGATE #2
TAN SILICA GRAVEL
1/2" TOP SIZE



LIGHT SANDBLAST TEXTURE
NATURAL CONCRETE COLOR



SMOOTH AS-CAST SURFACE
NATURAL CONCRETE COLOR



HAND APPLIED TEXTURE COATING
LIGHT GRAY COLOR

NOTES:

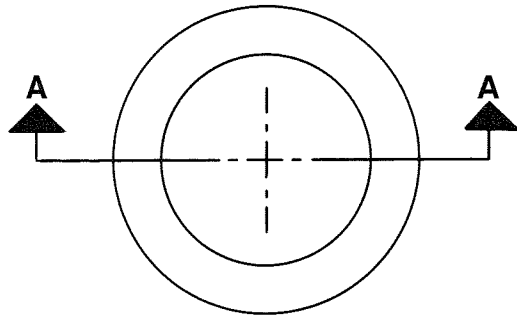
- Available finishes for precast concrete products are shown and described to indicate approximate color and texture involved.
- Photographic representation of finish texture is approximately 25 percent of actual size.
- Refer to Oberfield's data sheets showing specific precast concrete products to see which finishes are applicable for those products.



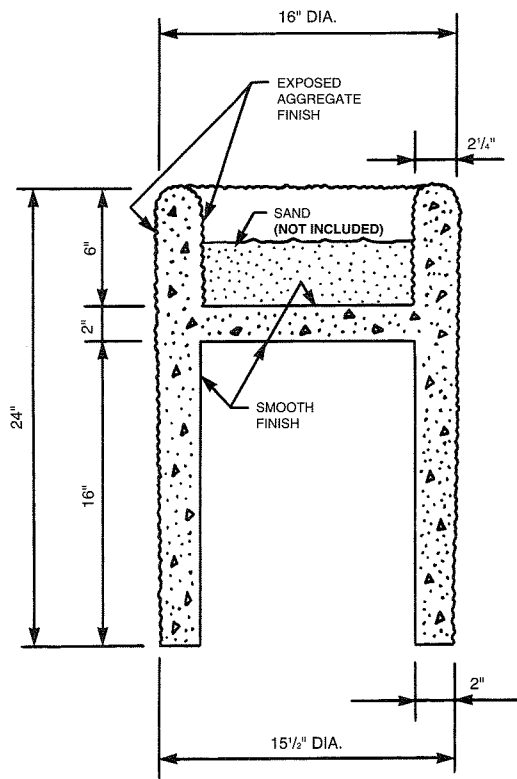
OBERFIELD'S INC[®]
SOLID PERFORMANCE IN CONCRETE PRODUCTS

P.O. Box 362 Delaware, Ohio 43015-0362 • 614-369-7644

ASH RECEPTACLE



TOP VIEW



SECTION A-A



Exposed Aggregate #1 Finish Shown

BASIC USES AND FEATURES

- For exterior and interior locations.
- Attractive unit with maximum resistance to weather and vandalism.

COMPOSITION & MATERIALS

- Concrete: Air entrained, achieving 5000 PSI compressive strength in 28 days.
- Reinforcing: Steel rebars and ties in shell.

AVAILABLE FINISHES

- Exposed Aggregate #1, Gray crushed limestone, 3/4" top size.
- Exposed Aggregate #2, Tan silica gravel, 1/2" top size.
- Light Sandblast Texture, natural concrete color.

WEIGHT: 170 lbs.

PALLET QUANTITY: 6



OBERFIELD'S INC[®]
SOLID PERFORMANCE IN CONCRETE PRODUCTS

P.O. Box 362 Delaware, Ohio 43015-0362 • 614-369-7644

BALUSTRADE RAILING COMPONENTS

BASIC USES AND FEATURES

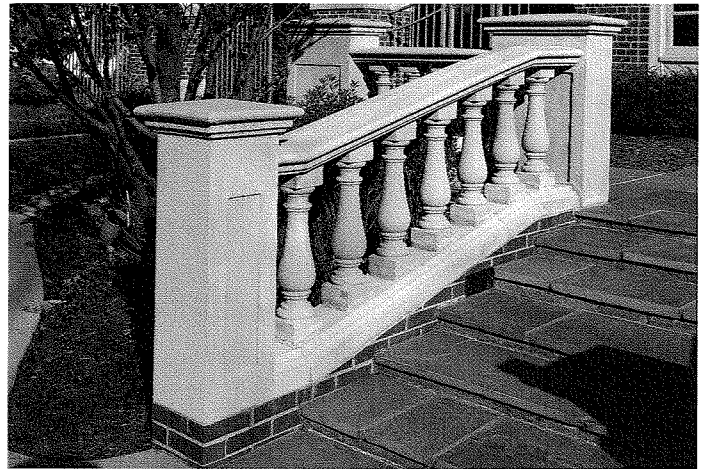
- For ornamental concrete railing systems at exterior and interior locations.
- At stair locations, balusters can be modified to accommodate the stair slope involved.

COMPOSITION & MATERIALS

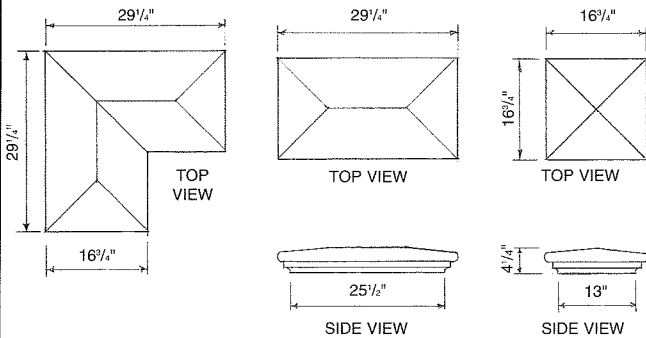
- Concrete: Air entrained, achieving 5000 PSI compressive strength in 28 days.
- Reinforcing: Steel rebars in all components except caps for rail starts.

AVAILABLE FINISHES

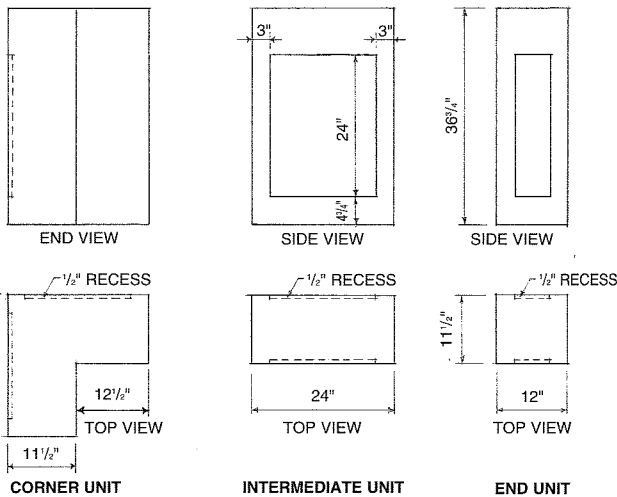
- Light Sandblast Texture, natural concrete color.
- Hand Applied Texture Coating, light gray color.



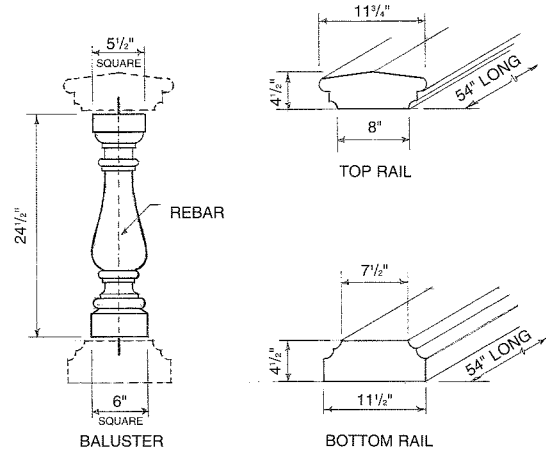
BALUSTRADE RAILING with Hand Applied Texture Coating



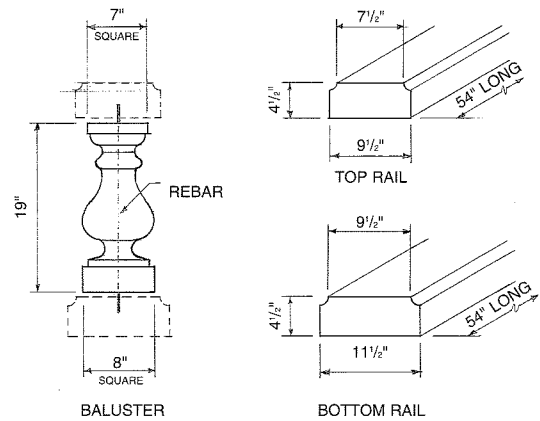
RAIL START CAPS



RAIL STARTS



24" BALUSTER & RAILS



19" BALUSTER & RAILS



OBERFIELD'S INC[®]
 SOLID PERFORMANCE IN CONCRETE PRODUCTS
 P.O. Box 362 Delaware, Ohio 43015-0362 • 614-369-7644