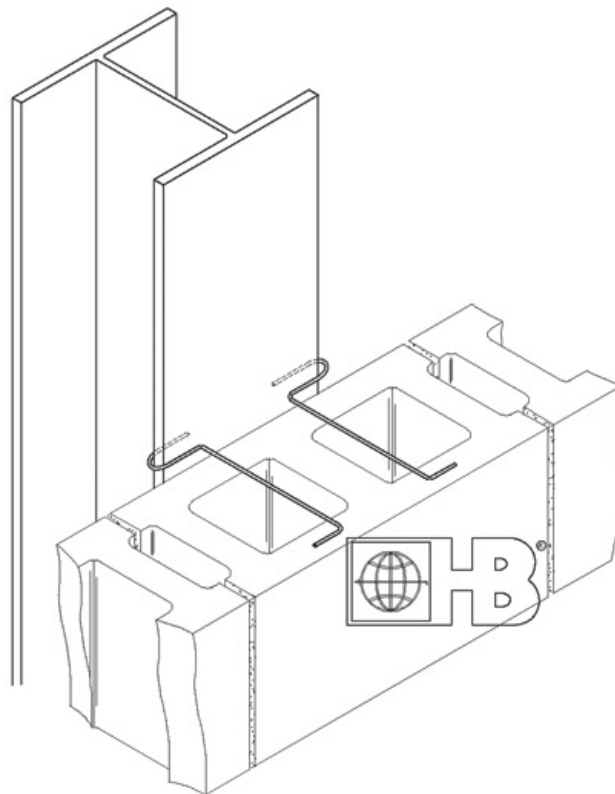
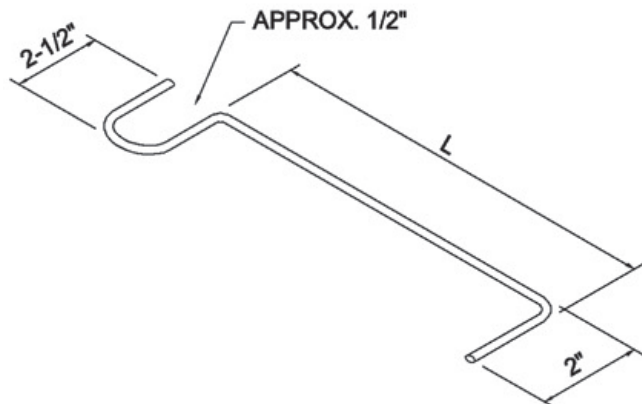


Column and Beam Anchors

351 - Wire Column Tie



DRAWINGS FOR ILLUSTRATIVE PURPOSES ONLY

Description:

For anchoring masonry to structural column when masonry is parallel to column flange.

Wire (Carbon Steel):

Cold-drawn steel wire conforming to ASTM A1064/A1064M:

Tensile Strength - 80,000 p.s.i.

Yield Point - 70,000 p.s.i. minimum

Zinc Coating:

Mill Galvanized: ASTM A641/A641M (0.1 oz/ft²) (0.1 oz/ft²)

Hot-Dip Galvanized after fabrication: ASTM A153/A153M-B2 (1.5 oz/ft²)

Note: Hohmann & Barnard will certify Hot-Dip Galvanized to a minimum of 2.0 oz/ft²

Wire (Stainless Steel):

ASTM A580/A580M - AISI Type 304 or 316

Dimensions:

3/16" or 1/4" diameter with 2" Bend and 2 1/2" Hook with 1/2" opening.

Available in 3", 5", 7", or 9" lengths. Other lengths available upon request.

H&B manufactures steel wire products from a minimum of 95% recycled material.

Finish:

Mill Galvanized

Hot-Dip Galvanized

Stainless Steel - Type 304

Stainless Steel - Type 316

Note: H&B recommends Stainless Steel for maximum protection against corrosion.

Wire Diameter:

3/16"Ø

1/4"Ø

Length:

3"

5"

7"

9"

Other: _____