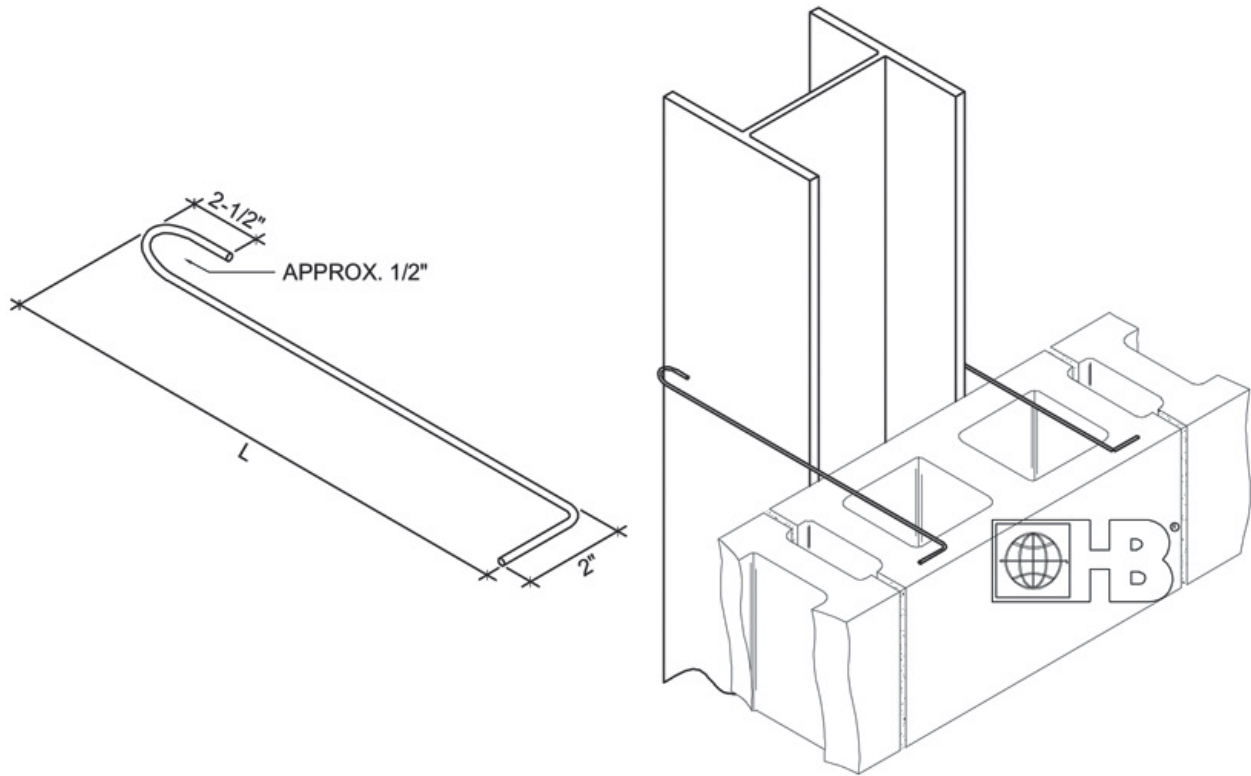


# Column and Beam Anchors

## 352 - Wire Column Tie



DRAWINGS FOR ILLUSTRATIVE PURPOSES ONLY

**Description:**

For anchoring masonry to structural column when masonry is perpendicular to column flange.

**Wire (Carbon Steel):**

Cold-drawn steel wire conforming to ASTM A1064/A1064M:

Tensile Strength - 80,000 p.s.i.

Yield Point - 70,000 p.s.i. minimum

**Zinc Coating:**

Mill Galvanized: ASTM A641/A641M (0.1 oz/ft<sup>2</sup>) (0.1 oz/ft<sup>2</sup>)

Hot-Dip Galvanized after fabrication: ASTM A153/A153M-B2 (1.5 oz/ft<sup>2</sup>)

Note: Hohmann & Barnard will certify Hot-Dip Galvanized to a minimum of 2.0 oz/ft<sup>2</sup>

**Wire (Stainless Steel):**

ASTM A580/A580M - AISI Type 304 or Type 316

**Dimensions:**

3/16" or 1/4" diameter with 2" Bend and 2 1/2" Hook with 1/2" opening. Available in 8", 10", 12", or 14" lengths. Other lengths available upon request.

**H&B manufactures steel wire products from a minimum of 95% recycled material.**

**Finish:**

- Mill Galvanized
- Hot-Dip Galvanized
- Stainless Steel - Type 304
- Stainless Steel - Type 316

**Note: H&B recommends Stainless Steel for maximum protection against corrosion.**

**Wire Diameter:**

- 3/16"Ø
- 1/4"Ø

**Length:**

- 8"
- 10"
- 12"
- 14"
- Other: \_\_\_\_\_