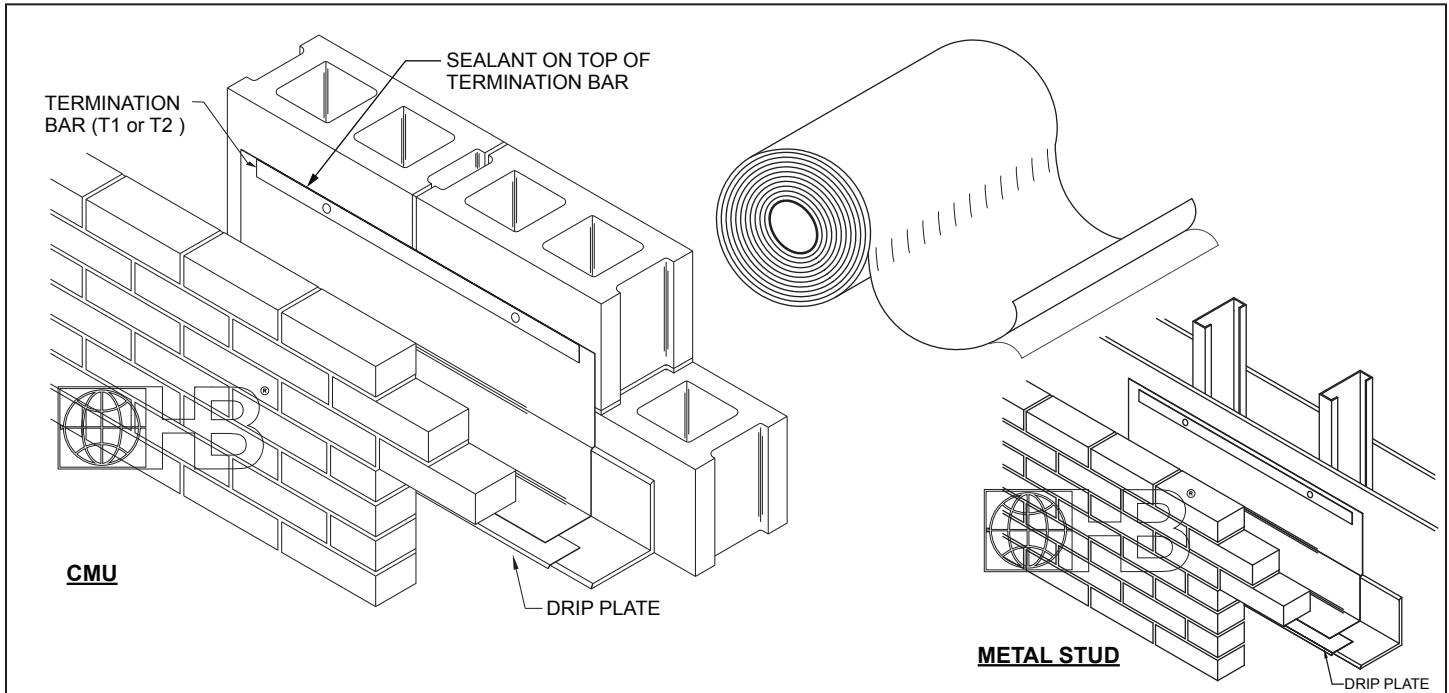


Flashing and Reglets

Copper-Fabric™ SA

Self Adhering Copper Fabric Flashing



Material:

Copper sheet used in the fabrication of copper laminates conforms to ASTM B370 (110 Alloy).

Copper-Fabric™ SA Self-Adhering Copper Fabric Flashing

Is a composite membrane consisting of a polyethylene film laminated to a 3, 5, or 7 oz. copper sheet to create a superior flashing that can **also serve as a drip edge**. It has a pressure-sensitive, clear adhesive that will not drool when exposed to UV or heat.

- Suitable for thru-wall or surface-mount usage.
- Available with 3, 5, or 7 oz. copper sheet.
- UV-resistant for up to 180 days.
- Highly resistant to oils and will repel most chemicals
- Extremely tough, with excellent impact and tear resistance.
- Maintains flexibility in extreme heat or cold weather environments.
- **Asphalt-free** composition compatible with a wide variety of sealants.
- Available in widths from 12" - 36", other widths available upon request

*** Please refer to Hohmann & Barnard installation instructions for more information.**

Width: (25 ft. rolls)

- | | | |
|------------------------------|--------------------------------------|------------------------------|
| <input type="checkbox"/> 12" | <input type="checkbox"/> 20" | <input type="checkbox"/> 32" |
| <input type="checkbox"/> 16" | <input type="checkbox"/> 24" | <input type="checkbox"/> 36" |
| <input type="checkbox"/> 18" | <input type="checkbox"/> Other _____ | |

Weight: (film color)

- | | | |
|---------------------------------------|--------------------------------------|--|
| <input type="checkbox"/> 3 oz. (gray) | <input type="checkbox"/> 5 oz. (red) | <input type="checkbox"/> 7 oz. (beige) |
|---------------------------------------|--------------------------------------|--|

Stainless Steel Drip Plate:

- | | | |
|-------------------------------|-----------------------------|--------------------------------------|
| <input type="checkbox"/> 1 ½" | <input type="checkbox"/> 3" | <input type="checkbox"/> Other _____ |
|-------------------------------|-----------------------------|--------------------------------------|

Flex-Flash® Drip Edge: | **Copper-Fabric™ SA as Drip Edge:**

- | | |
|-----------------------------|--------------------------|
| <input type="checkbox"/> 3" | <input type="checkbox"/> |
|-----------------------------|--------------------------|

Termination Bar:

- Stainless Steel (Type 304)
- Aluminum
- Plastic

- HB Sealant 1-Quart Tube**
- Primer-SA**
Water-Based Self-Adhering Flashing Primer (5 gal. pail)

IMPORTANT: Since each construction project is unique, the appropriate selection and use of any product contained herein must be determined by competent architects, engineers and other appropriate professionals who are familiar with the specific requirements of the project in question.