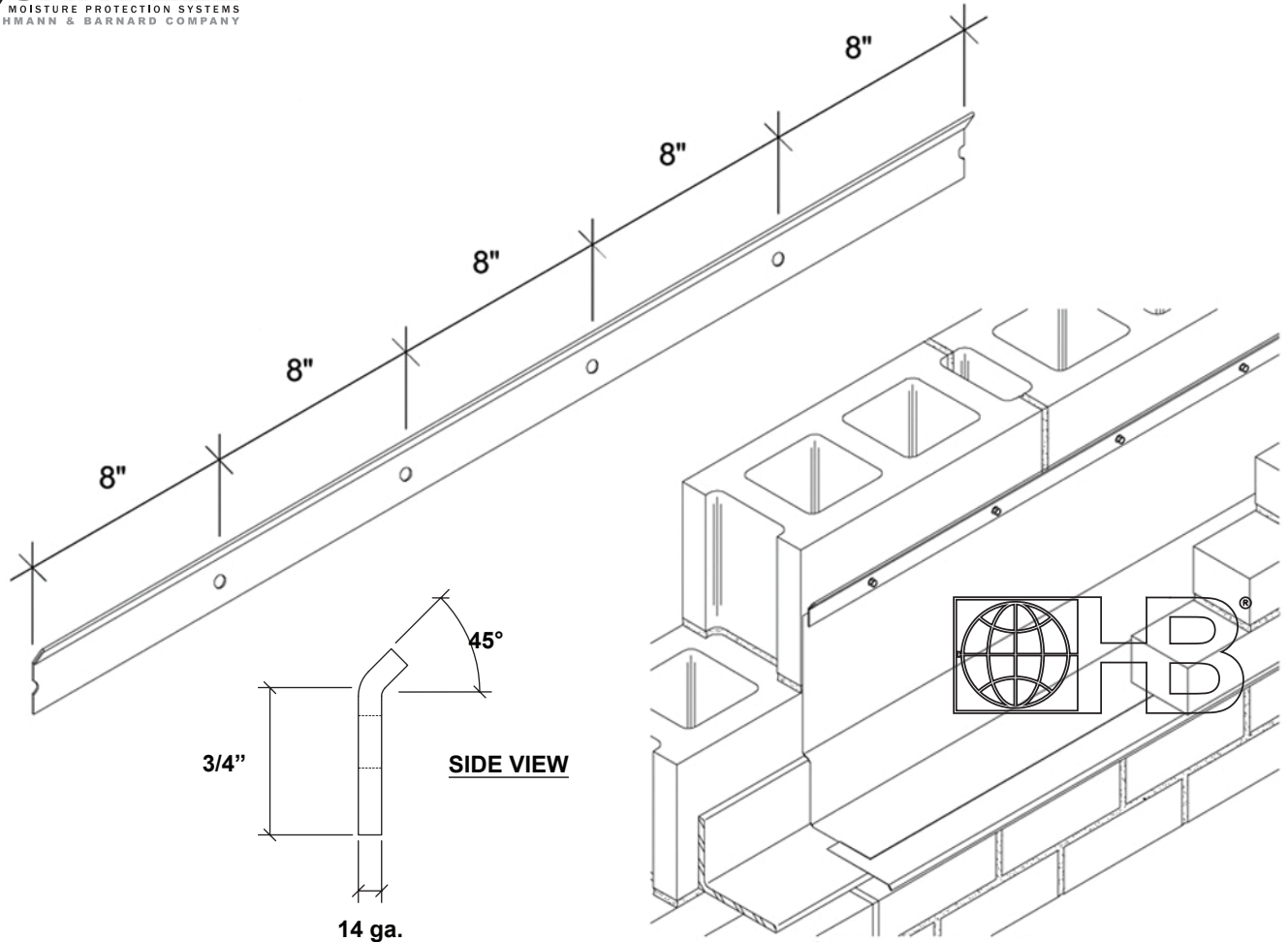




HOHMANN & BARNARD, INC.
A MiTek - BERKSHIRE HATHAWAY COMPANY

Flashing and Reglets

T2 - Aluminum Termination Bar



DRAWINGS FOR ILLUSTRATIVE PURPOSES ONLY

T2 - Aluminum Termination Bar

AA6063 Aluminum-T6 termination bar for use at top of flashing to mechanically secure it to the backup. Compatible with all H&B Surface-Mount membrane and copper-laminate flashings.

NOTE: Available with optional Foam-Tite Seal™ to aid in inhibiting moisture infiltration. A factory-installed foam strip helps to seal small voids occurring between the termination bar and irregular substrate surfaces, while offering protection against water penetration due to sealant deterioration.

Product:

- T2 Aluminum
- OPTIONAL: T2 Aluminum-FTS (Foam-Tite Seal™)

Dimensions:

- 14 ga. x 1" x 8' long
- Has a 1/4" flange on top for easy caulking
- 1/4" holes spaced 8" o.c.
(Can be used for 16" or 24" o.c. metal stud backup)

HOHMANN & BARNARD, Inc.
30 Rasons Court | Hauppauge, NY 11788
CORPORATE HEADQUARTERS
T: 800.645.0616 F: 631.234.0683
www.h-b.com

Branch/Subsidiary Locations:
ALABAMA - ILLINOIS - MARYLAND
NEW YORK - PENNSYLVANIA - TEXAS
UTAH - CANADA

© HOHMANN & BARNARD, INC. - 2013