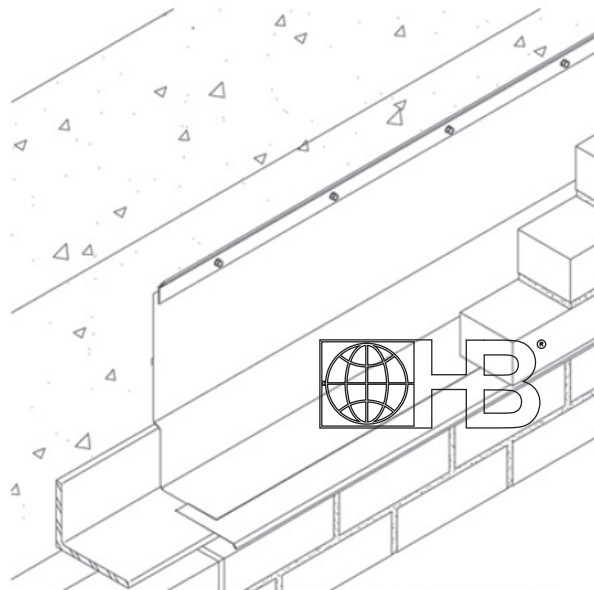
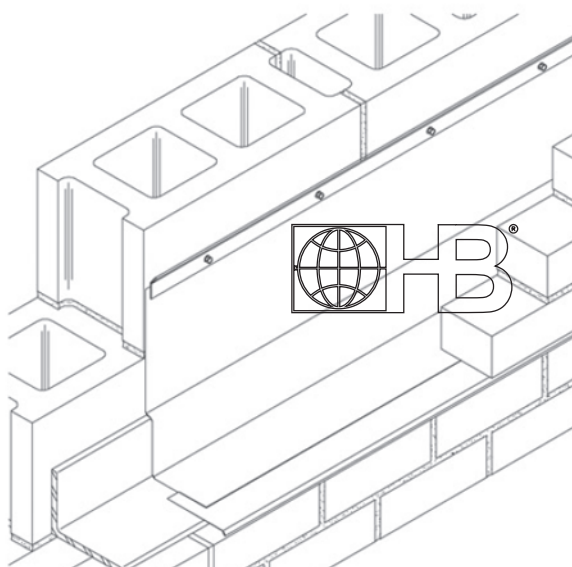
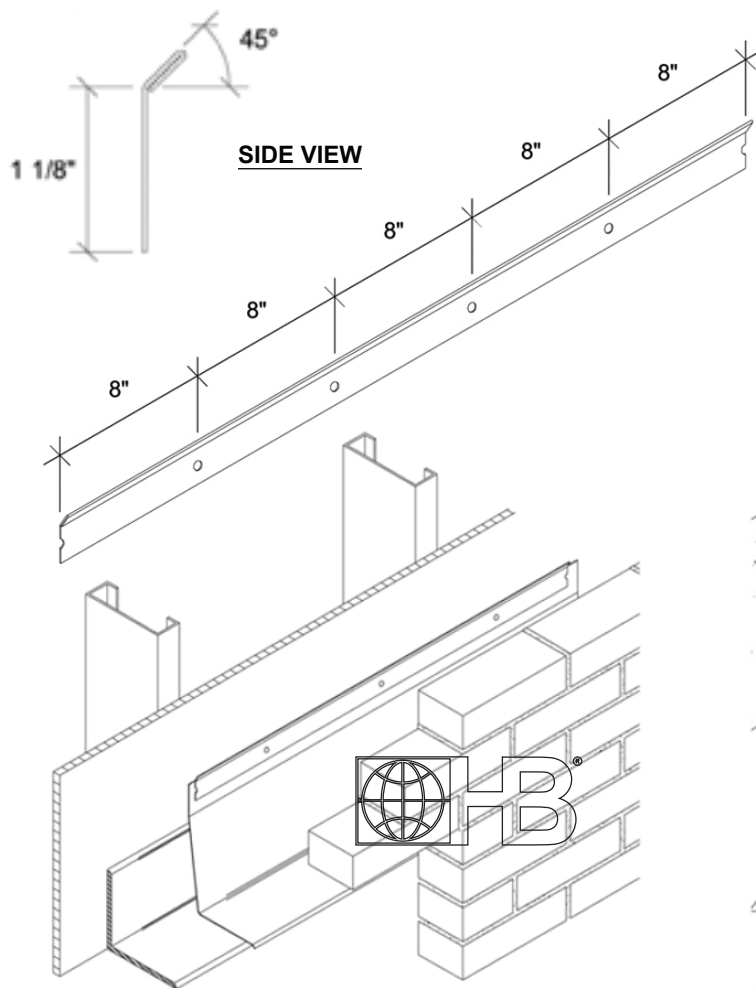




**HOHMANN & BARNARD, INC.**  
A MiTek - BERKSHIRE HATHAWAY COMPANY

## Flashing and Reglets T2 - Termination Bar



DRAWINGS FOR ILLUSTRATIVE PURPOSES ONLY

### T2 - Termination Bar

Used at top of flashing to mechanically secure it to backup. Compatible with all H&B Surface-Mount membrane and copper-laminate flashings.

NOTE: Available with optional Foam-Tite Seal™ to aid in inhibiting moisture infiltration. A factory-installed foam strip helps to seal small voids occurring between the termination bar and irregular substrate surfaces, while offering protection against water penetration due to sealant deterioration.

**Product:** (Type 304 Stainless Steel, 26 Gauge)

- T2
- OPTIONAL: T2-FTS (Foam-Tite Seal™)

### Dimensions:

- 26 ga. x 1 1/2" x 8' long
- Has a 3/8" flange on top for easy caulking
- 1/4" holes spaced 8" o.c.  
(Can be used for 16" or 24" o.c. metal stud backup)

**HOHMANN & BARNARD, Inc.**  
30 Rasons Court | Hauppauge, NY 11788  
CORPORATE HEADQUARTERS  
T: 800.645.0616 F: 631.234.0683  
[www.h-b.com](http://www.h-b.com)

**Branch/Subsidiary Locations:**  
ALABAMA - ILLINOIS - MARYLAND  
NEW YORK - PENNSYLVANIA - TEXAS  
CANADA

© HOHMANN & BARNARD, INC. - 2012