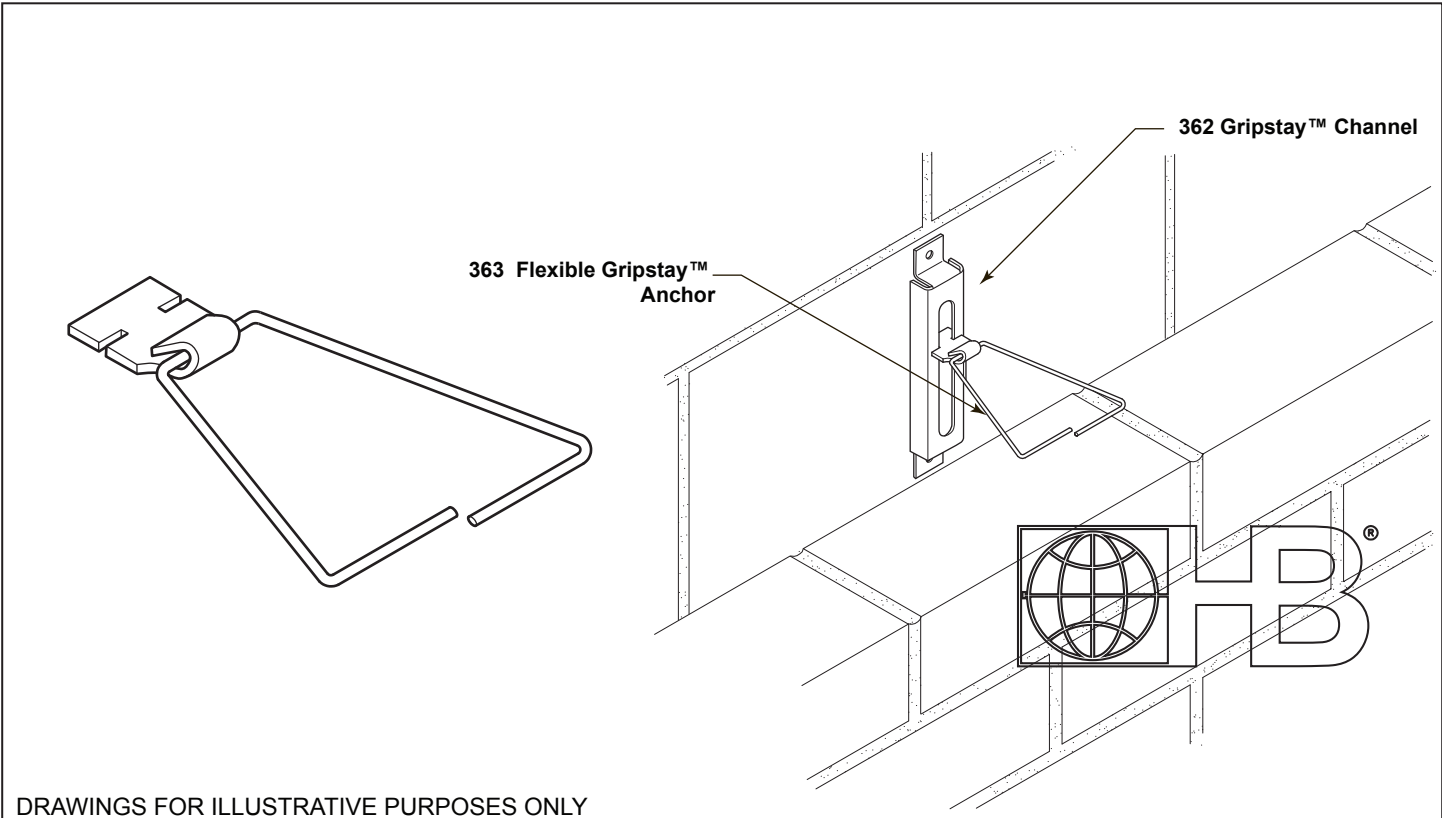


Gripstay™ Anchors, Channels & Ties

363 - Flexible Gripstay™ Anchor



DRAWINGS FOR ILLUSTRATIVE PURPOSES ONLY

363 Flexible Gripstay™ Anchor permits horizontal and vertical movement of the masonry wall while restraining the wall from moving laterally out of plane.

MATERIAL CONFORMANCE

Wire (Carbon Steel): Prefabricated from cold-drawn steel wire conforming to **ASTM A1064/A1064M**
Tensile Strength - 80,000 p.s.i. | Yield Point - 70,000 p.s.i. minimum
Zinc Coating:
Mill Galvanized coating: **ASTM A641/A641M** (0.1 oz/ft²)
Hot-Dip Galvanized: **ASTM A153/A153M Class B** (1.5 oz/ft²) (sheet metal ties and anchors galvanized after fabrication)
Note: Hohmann & Barnard will certify to a minimum of 2.0 oz/ft²

Wire (Stainless Steel):
ASTM A580/A580M - AISI Type 304 (Type 316 available on special order)

Sheet Metal (Carbon Steel):
ASTM A1008/A1008M
Zinc Coating:
Mill Galvanized: **ASTM A653/A653M** Class G60 (0.6 oz/ft²)
Hot-Dip Galvanized: (refer to wire above)
Note: Hohmann & Barnard will certify to a minimum of 2.0 oz/ft²

Sheet Metal (Stainless Steel):
ASTM A666, ASTM A480/ASTM A480M, and ASTM A240/A240M - AISI Type 304 or Type 316

Finishes:

- Mill Galvanized
- Hot-Dip Galv. Stainless Steel: Type 304 Type 316

Note: Hohmann & Barnard recommends Stainless Steel for maximum protection against corrosion.

Gripstay™ Head Thickness:

- 14 ga. standard 12 ga. heavyweight

Vee Byna-Tie® Length:

- 3" 3 ½" 4" 4 ½" 5" Other _____

Vee Byna-Tie® Diameter

- 3/16"Ø Standard 1/4"Ø Heavyweight

Vee Wall Tie portion manufactured from a minimum of 95% post-consumer recycled material.