

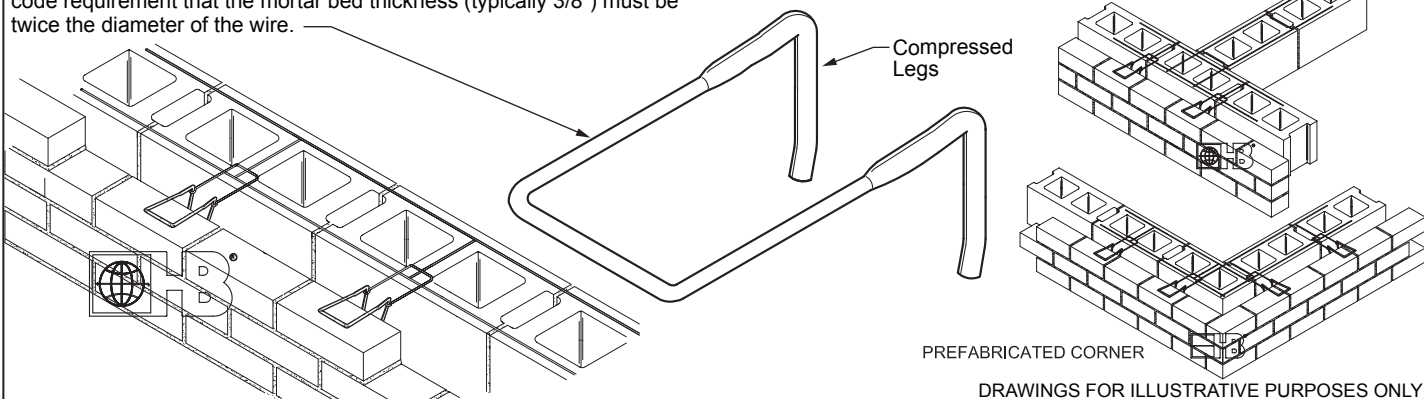
HOHMANN & BARNARD, INC.
a MiTek company

Lox♦All® Adjustable Joint Reinforcement

270-2X Ladder Eye-Wire

Adjustable Reinforcement with 2X-Hook

The embedded portion of the 2X-Hook is 3/16"Ø round wire, satisfying the code requirement that the mortar bed thickness (typically 3/8") must be twice the diameter of the wire.



DRAWINGS FOR ILLUSTRATIVE PURPOSES ONLY

Hohmann & Barnard's 2X-Hook has been tested and designed to withstand over 200-lbf, in tension or compression, at maximum allowed offset (TMS 402/ACI 530 6.2.2.5.5.4) of 1/4" (disengagement of the pintle from the veneer anchor). These results exceed BIA recommendations and the capabilities of standard "round wire" hooks/pintles by over 100%, while maintaining the ASTM A1064/1064M wire specification.

EYE-WIRE WITH 2X HOOKS (WORKING LOAD*)

CAVITY	0" OFFSET	5/8" OFFSET	1 1/4" OFFSET	TEST
4 1/2"	807#	478#	237#	TENSION
4 1/2"	709#	487#	288#	COMPRESSION
7 1/2"	851#	488#	266#	TENSION
7 1/2"	700#	463#	288#	COMPRESSION

* WORKING LOAD DETERMINED AT .05" DEFLECTION

Tests were completed for 3" and 6" insulation with 1 1/2" air cavity.

MATERIAL CONFORMANCE

Hohmann & Barnard joint reinforcement products conform to:
ASTM A951/A951M (Standard Specification for Steel Wire for Masonry Joint Reinforcement)
ACI / ASCE 530 (Building Code Requirements for Masonry Structures)

Wire (Carbon Steel): Prefabricated from cold-drawn steel wire conforming to **ASTM A1064/A1064M**

Tensile Strength - 80,000 p.s.i. | Yield Point - 70,000 p.s.i. minimum
Zinc Coating:

Hot-Dip Galvanized after fabrication: **ASTM A153/A153M-B2** (1.5 oz/ft²)

Wire (Stainless Steel): **ASTM A580/ASTM 580M** - AISI Type 304
(Type 316 available on special order)

Eye-Wire Diameters/Dimensions:

9 gauge (.148" or W1.7) or 3/16"Ø (.187" or W2.8)

Side Rods and Cross Rods available in any combination of the above.

Eyes and Hooks are 3/16"Ø standard.

Cross Rods welded 16" O.C. First Cross Rods welded 12" in from each end to allow lap splices per code requirements.

2X-Hook: U.S. Pat. No. 8,613,175

H&B manufactures steel wire products from a minimum of 95% recycled material.

Eye-Wire Finish:

Hot-Dip Galvanized | Stainless Steel Type 304 Type 316

Note: H&B recommends Stainless Steel for maximum protection against corrosion.

Eye-Wire Size (10' length std., custom length available special order):

(S) Standard Weight: 9 GA Side Rods x 9 GA Cross Rods

(EH) Extra Heavy: 3/16"Ø Side Rods x 9 GA Cross Rods

(SHD) Super Heavy Duty: 3/16"Ø Side Rods x 3/16"Ø Cross Rods

Block Size: (Std. sizes: 4" - 16" wall, other widths available on special request.)

4" 6" 8" 10" 12" 14" 16"

Note: State cavity and/or insulation thickness when ordering.

Compressed Leg 2X-Hook Finish:

Hot-Dip Galvanized | Stainless Steel Type 304 Type 316

Compressed Leg 2X-Hook: Length (Model), 3/16"Ø (5mm) wire

3" (300H-2X) 4" (400H-2X) 5" (500H-2X)

6" (600H-2X) 7" (700H-2X)

IMPORTANT: Since each construction project is unique, the appropriate selection and use of any product contained herein must be determined by competent architects, engineers and other appropriate professionals who are familiar with the specific requirements of the project in question.

HOHMANN & BARNARD, Inc.

30 Rasons Court | Hauppauge, NY 11788
CORPORATE HEADQUARTERS

T: 800.645.0616 F: 631.234.0683

www.h-b.com

Branch/Subsidiary Locations:

ALABAMA - ILLINOIS - MARYLAND

NEW YORK - PENNSYLVANIA - TEXAS

UTAH - CANADA

© HOHMANN & BARNARD, INC. - 2016