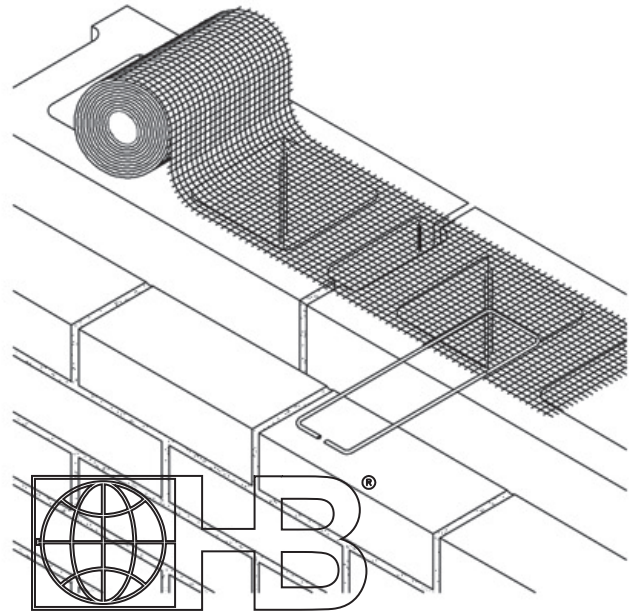
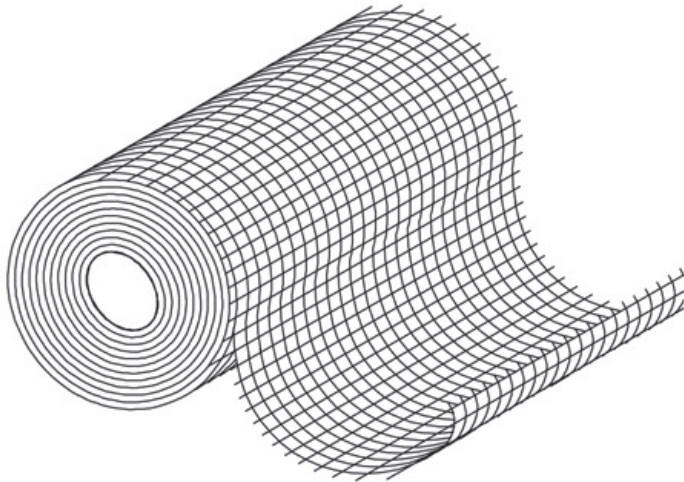




HOHMANN & BARNARD, INC.
A MiTek - BERKSHIRE HATHAWAY COMPANY

Mortar Collection Systems/Grout Screen MGS - Mortar / Grout Screen



DRAWINGS FOR ILLUSTRATIVE PURPOSES ONLY

Features:

- Isolates flow of grout in designated areas requiring reinforced concrete block.
- Allows for greater bonding of masonry anchor in hollow block construction.
- 1/4" square monofilament screen is fabricated from high strength, non-corrosive polypropylene polymers.
- Micro-thin material has high tensile and burst strength, yet will not interfere with mortar bond.

Width:

- 4" (for 6" block)
- 6" (for 8" block)
- 8" (for 10" block)
- 10" (for 12" block)
- 12" (for 14" block)

Note: Length per roll is 100 ft.

HOHMANN & BARNARD, Inc.
30 Rasons Court | Hauppauge, NY 11788
CORPORATE HEADQUARTERS
T: 800.645.0616 F: 631.234.0683
www.h-b.com

Branch/Subsidiary Locations:
ALABAMA - ILLINOIS - MARYLAND
NEW YORK - PENNSYLVANIA - TEXAS
CANADA

© HOHMANN & BARNARD, INC. - 2012