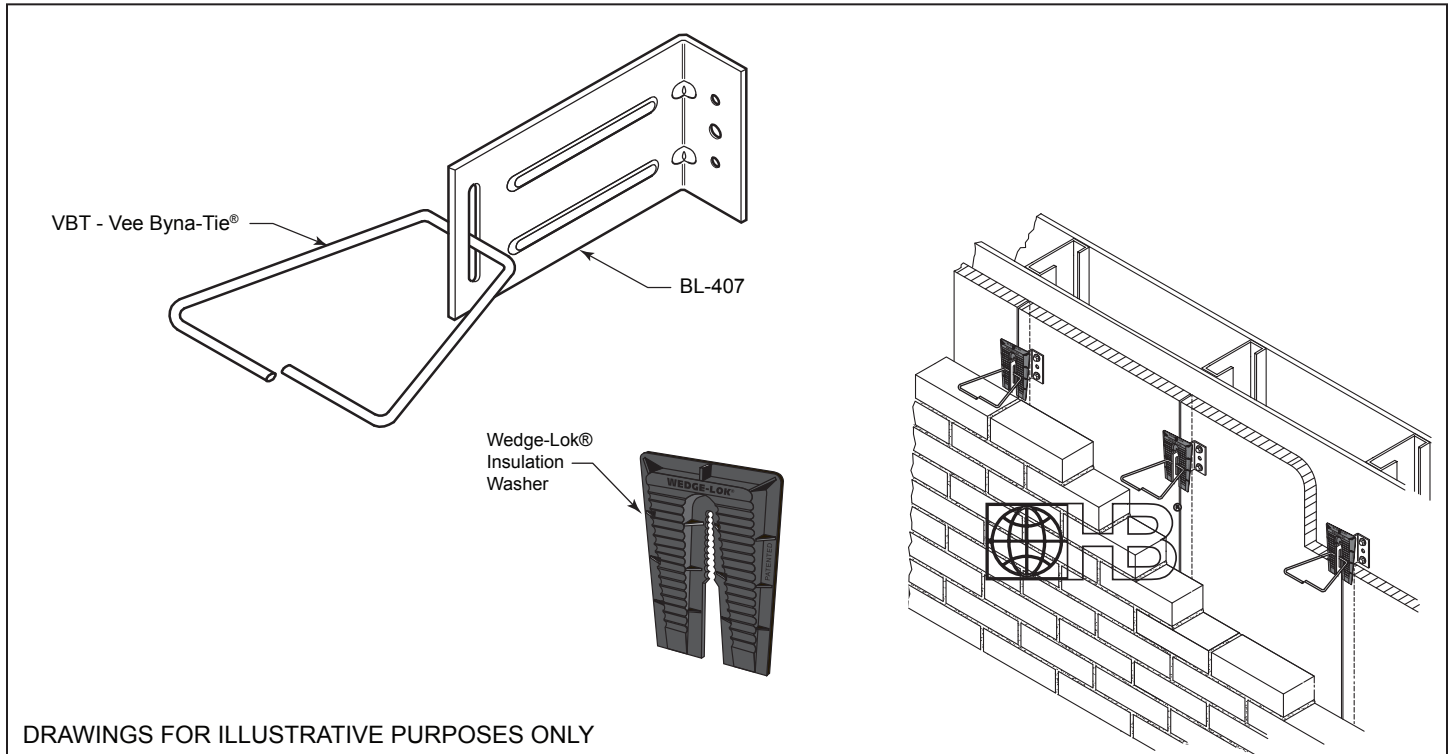


HOHMANN & BARNARD, INC.
a MiTek company

Veneer Anchors and Ties

BL-407 - w/VBT - Vee Byna-Tie®



DRAWINGS FOR ILLUSTRATIVE PURPOSES ONLY

BL-407 is a wire tie and plate combination system that provides adjustability, strength, stiffness, positive connection, corrosion-resistance, and is test rated.

Byna-Lok™ Wire Tie (seismic applications): 3/16"Ø x 3", 4", or 5" length

Wire (Carbon Steel): Prefabricated from cold-drawn steel wire conforming to **ASTM A1064/A1064M**

Tensile Strength - 80,000 psi | Yield Point - 70,000 psi minimum

Zinc Coating:

Hot-Dip Galvanized after fabrication: **ASTM A153/A153M-B2** (1.5 oz/ft²)

Note: Hohmann & Barnard will certify to a minimum of 2.0 oz/ft²

Wire (Stainless Steel): **ASTM A580/ASTM 580M** - AISI Type 304

(Type 316 available on special order)

Sheet Metal (Carbon Steel):

ASTM A1008/A1008M

Zinc Coating: Hot-Dip Galvanized: (refer to wire above)

Note: Hohmann & Barnard will certify to a minimum of 2.0 oz/ft²

Sheet Metal (Stainless Steel):

ASTM A 666, ASTM A480/480M, and ASTM A240/A240M

AISI Type 304 or 316

H&B manufactures steel wire products from a minimum of 95% post-consumer recycled material.

NOTE: Use the 523 Brass Expansion Bolt (in center hole of plate) when fastening to concrete, block, brick and mortar joints. The combination of the 523 Bolt and the BL-407 plate is called the BL-5407.

BL-407 Backplate Style (16 gauge)

Insulation Thickness

<input type="checkbox"/> BL-407 (0")	0"
<input type="checkbox"/> BL-407 (1")	1"
<input type="checkbox"/> BL-407 (1 ½")	1 ½"
<input type="checkbox"/> BL-407 (2")	2"
<input type="checkbox"/> BL-407 (2 ½")	2 ½"
<input type="checkbox"/> BL-407 (3")	3"
<input type="checkbox"/> BL-407 (3 ½")	3 ½"
<input type="checkbox"/> BL-407 (4")	4"

Finish:

Hot-Dip Galv. Stainless Steel: Type 304 Type 316

NOTE: Hohmann & Barnard recommends Stainless Steel for maximum protection against corrosion

Wedge-Lok® Insulation Washer (Optional)

Vee Byna-Tie® Length:

3" 3 ½" 4" 4 ½"
 5" 6" 7" Other _____

Vee Byna-Tie® Diameter:

3/16"Ø (standard) 1/4"Ø (heavyweight)

IMPORTANT: Since each construction project is unique, the appropriate selection and use of any product contained herein must be determined by competent architects, engineers and other appropriate professionals who are familiar with the specific requirements of the project in question.

HOHMANN & BARNARD, Inc.
CORPORATE HEADQUARTERS
30 Rasons Court | Hauppauge, NY 11788
T: 800.645.0616 F: 631.234.0683
www.h-b.com

Branch/Subsidiary Locations:
ALABAMA - ILLINOIS - MARYLAND
NEW YORK - PENNSYLVANIA - TEXAS
UTAH - CANADA

© HOHMANN & BARNARD, INC. - 2015