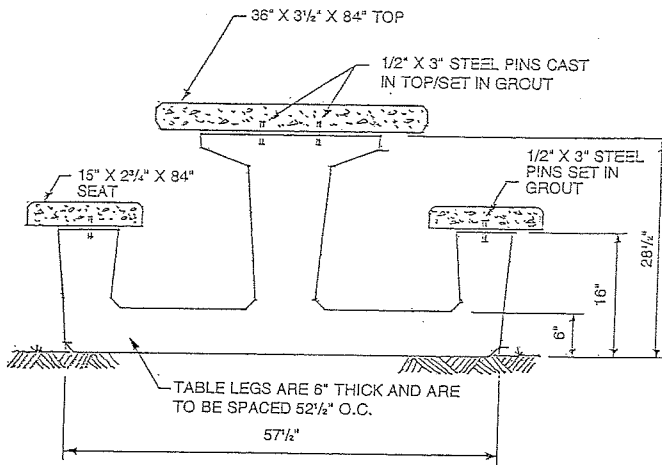
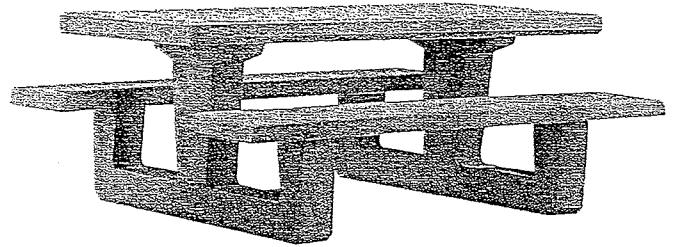


# PICNIC TABLES – RECTANGULAR

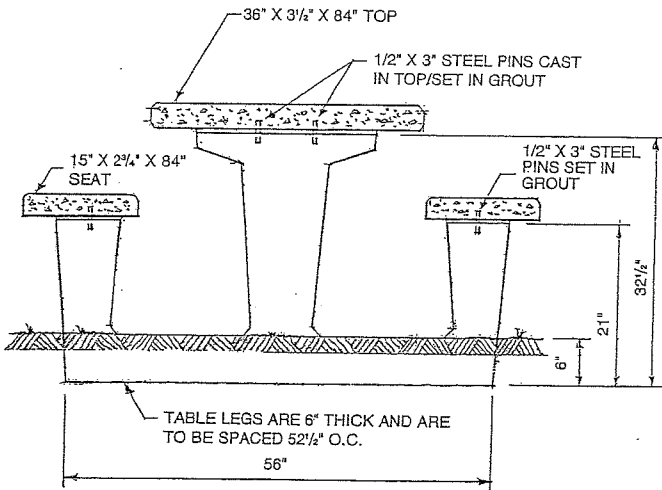


**PICNIC TABLE #1R**

- Weight: Top-850 lbs.; Each seat - 300 lbs.; Each leg - 550 lbs. (Total - 2550 lbs.)
- Pallet Quantity: 1



Light Sandblast Texture Finish Shown



**PICNIC TABLE #2R**

- Weight: Top - 850 lbs.; Each seat - 300 lbs.; Each leg - 600 lbs. (Total - 2650 lbs.)
- Pallet Quantity: 1

## BASIC USES AND FEATURES

- For exterior use in parks, camp grounds, recreational areas, and commercial facilities.
- For maximum resistance to weather and vandalism.

## COMPOSITION & MATERIALS

- Concrete: Air entrained, achieving 5000 PSI compressive strength in 28 days.
- Reinforcing: Steel rebars in all components.
- Table top, seats, and supports are furnished unassembled.

## AVAILABLE FINISHES

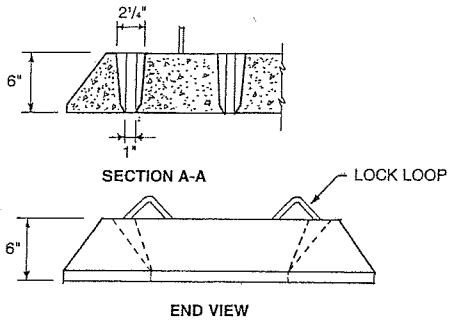
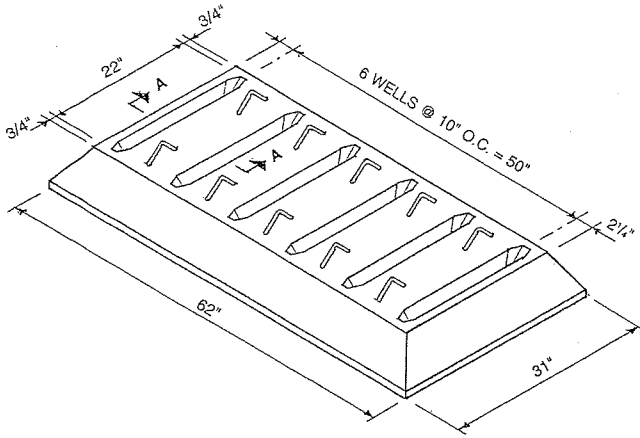
- Light Sandblast Texture, natural concrete color.
- Smooth As-cast Surfaces, natural concrete color.



**OBERFIELD'S INC®**  
SOLID PERFORMANCE IN CONCRETE PRODUCTS

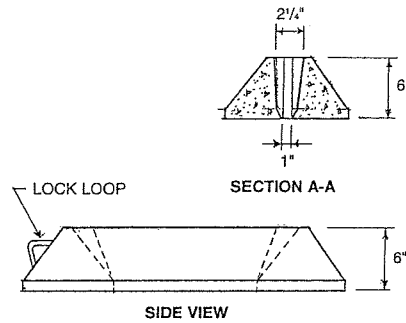
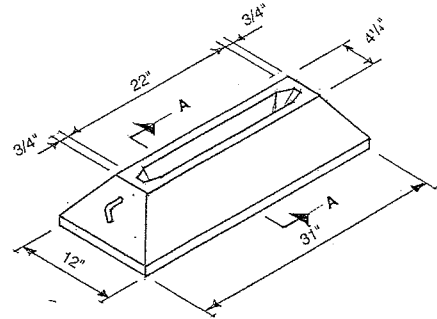
P.O. Box 362 Delaware, Ohio 43015-0362 • 614-369-7644

# BIKE BLOCKS



## BIKE BLOCK #1 - MULTIPLE WELL

- Weight: 650 lbs.
- Pallet Quantity: 1



## BIKE BLOCK #2 - SINGLE WELL

- Weight: 125 lbs.
- Pallet Quantity: 4

### BASIC USES AND FEATURES

- For schools, business, residential, apartment sites, and streetscapes.
- Receives all sizes of bike tires.

### COMPOSITION & MATERIALS

- Concrete: Air entrained, achieving 5000 PSI compressive strength in 28 days.
- Reinforcing: Steel rebars
- Lock Loops: Galvanized steel rod, 5/16" diameter.

### AVAILABLE FINISHES

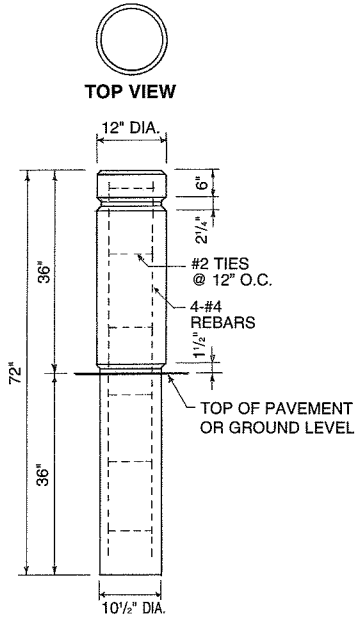
- Light Sandblast Texture, natural concrete color.
- Smooth As-cast Surfaces, natural concrete color.



**OBERFIELD'S INC<sup>®</sup>**  
SOLID PERFORMANCE IN CONCRETE PRODUCTS

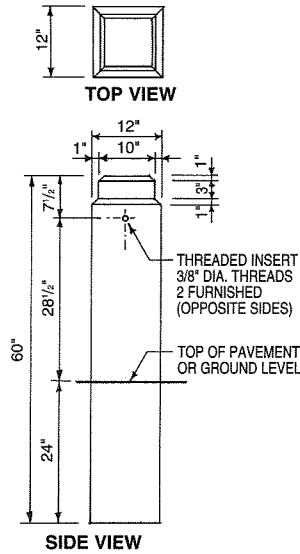
P.O. Box 362 Delaware, Ohio 43015-0362 • 614-369-7644

# BOLLARDS



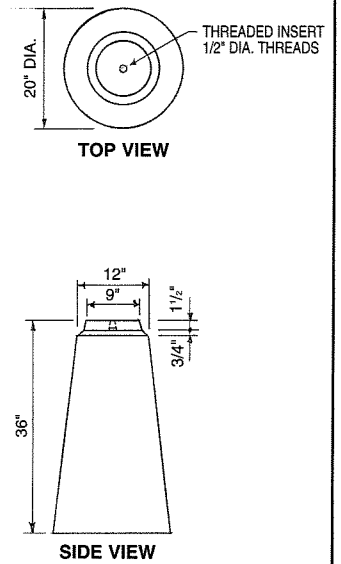
**BOLLARD #1**

- Weight: 600 lbs.
- Pallet Quantity: 6



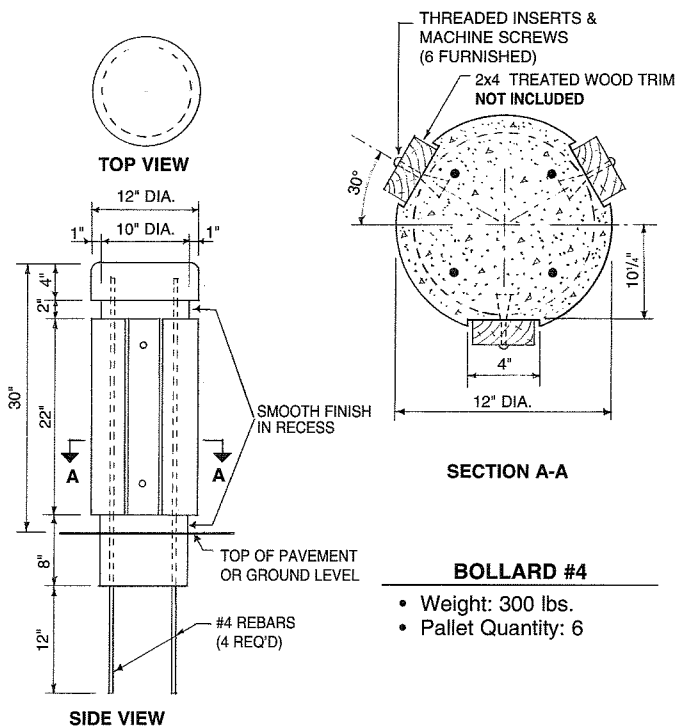
**BOLLARD #2**

- Weight: 710 lbs.
- Pallet Quantity: 6



**BOLLARD #3**

- Weight: 600 lbs.
- Pallet Quantity: 6



**BOLLARD #4**

- Weight: 300 lbs.
- Pallet Quantity: 6

## BASIC USES AND FEATURES

- Decorative barriers to separate vehicular and pedestrian traffic.
- For security barriers at vehicular entranceways and other locations.
- Bollard #3 is movable and it can be used as a base for signage.

## COMPOSITION & MATERIALS

- Concrete: Air entrained, achieving 5000 PSI compressive strength in 28 days.
- Reinforcing: Steel rebar and ties as noted
- Threaded Inserts & Machine Screws: Corrosion resistant.

## AVAILABLE FINISHES

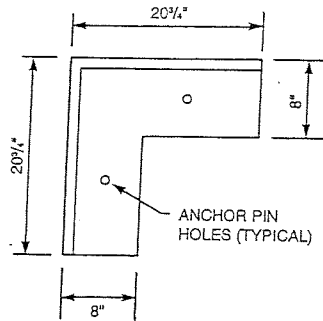
- Exposed Aggregate #1, Gray crushed limestone, 3/4" top size.
- Exposed Aggregate #2, Tan silica gravel, 1/2" top size.
- Light Sandblast Texture, natural concrete color.
- Smooth As-cast Surfaces, natural concrete color.



**OBERFIELD'S INC®**  
SOLID PERFORMANCE IN CONCRETE PRODUCTS

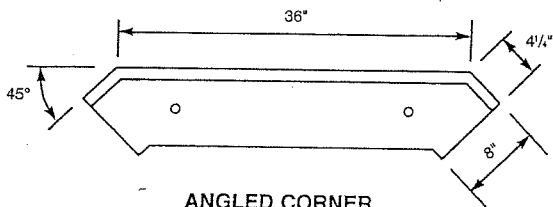
P.O. Box 362 Delaware, Ohio 43015-0362 • 614-369-7644

# SURFACE CURBING



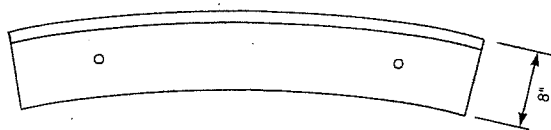
## 90° CORNER

- Bullnose edge on outside
- Weight: 135 lbs.



## ANGLED CORNER

- Bullnose edge on outside
- Weight: 157 lbs.



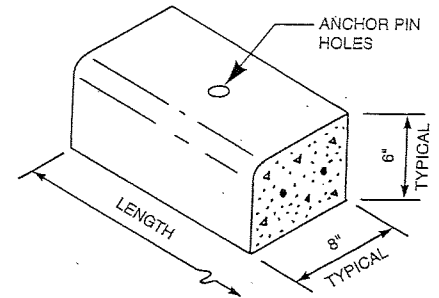
## OUTSIDE CURVE

- Bullnose edge on outside
- Lengths: 4' sections
- Radius: 5', 10', 15' & 18'
- Weight: 193 lbs.



## INSIDE CURVE

- Bullnose edge on inside
- Lengths: 4' sections
- Radius: 18' only
- Weight: 193 lbs.



## STRAIGHT SECTION

- Lengths: 3', 4', 5', 6' & 8'
- Weight: 48 lbs./ft.

## BASIC USES AND FEATURES

- Ideal for perimeter of parking lots where adjacent walks, lawn areas or plant beds are elevated above the parking lot pavement.
- Surface curbing is economical since installation occurs after parking areas are paved.
- Can be used as edge restraint for concrete pavers.

## COMPOSITION & MATERIALS

- Concrete: Air entrained, achieving 5000 PSI compressive strength in 28 days.
- Reinforcing: Steel rebars in each unit.

## AVAILABLE FINISH

- Smooth As-cast Surfaces, natural concrete color.

## AVAILABLE ANCHOR PINS (Pointed type)

- 1/2" dia. x 14" long – Steel (50 pins per bundle)
- 5/8" dia. x 24" long – Steel (25 pins per bundle)



**OBERFIELD'S INC®**  
SOLID PERFORMANCE IN CONCRETE PRODUCTS

P.O. Box 362 Delaware, Ohio 43015-0362 • 614-369-7644

# LITTER RECEPTACLES

**SECTION A-A**

**TOP VIEW OF SHELL**

Exposed Aggregate #1 Finish Shown

**LITTER RECEPTACLE #1**

- Weight: 550 lbs.
- Pallet Quantity: 4

**SECTION A-A**

**TOP VIEW OF SHELL**

Light Sandblast Texture Finish Shown

**LITTER RECEPTACLE #2**

- Weight: 575 lbs.
- Pallet Quantity: 2

## BASIC USES AND FEATURES

- For exterior use in parks, recreational areas, streetscapes, commercial, and educational facilities.
- Attractive units with maximum resistance to weather and vandalism.
- Pivoting lid makes servicing easy.

## COMPOSITION & MATERIALS

- Concrete: Air entrained, achieving 5000 PSI compressive strength in 28 days.
- Reinforcing: Steel rebars and ties in shell.
- Lid: Prefinished rigid fiberglass with device for pivot feature, brown color.

Replacement unit also available.

- Leveling legs: Adjustable 1/2" x 2" carriage bolts.
- Plastic Litter Bag Support: Formed steel rod assembly (no bags included). Optional rigid poly liner available. Replacement units also available.

## AVAILABLE FINISHES

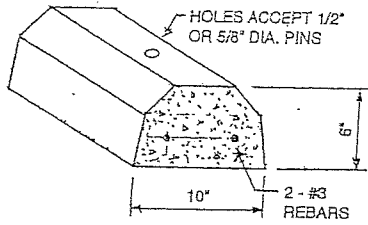
- Exposed Aggregate #1, Gray crushed limestone, 3/4" top size. (Litter Receptacle #1)
- Exposed Aggregate #2, Tan silica gravel, 1/2" top size. (Litter Receptacle #1)
- Light Sandblast Texture, natural concrete color. (Litter Receptacle #1 & #2)



**OBERFELD'S INC®**  
SOLID PERFORMANCE IN CONCRETE PRODUCTS

P.O. Box 362 Delaware, Ohio 43015-0362 • 614-369-7644

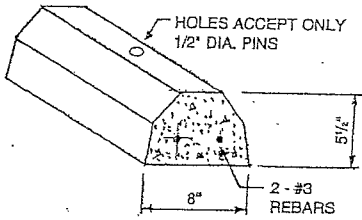
# PARKING BLOCKS



## COMMERCIAL PARKING BLOCK

The type most specified by Architects and Engineers for parking areas where traffic is heavy and continuous. Has two anchor pin holes.

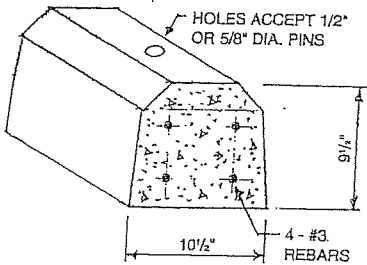
	<u>WEIGHT</u>	<u>PALLET QUANTITY</u>
8 FT. LONG .....	385#	15
6 FT. LONG .....	285#	15
4 FT. LONG .....	190#	15



## MEDIUM PARKING BLOCK

This unit combines quality with economy. Designed for residential, apartment, or small business parking areas where space is at a premium. Has two anchor pin holes.

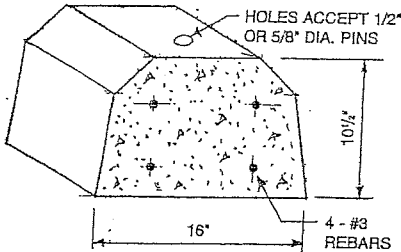
	<u>WEIGHT</u>	<u>PALLET QUANTITY</u>
6 FT. LONG .....	190#	20



## TEN-HIGH PARKING BLOCK

This unit serves well as a barrier around the perimeter of parking lots, or where extra protection is required. Has three anchor pin holes.

	<u>WEIGHT</u>	<u>PALLET QUANTITY</u>
8 FT. LONG .....	720#	3



## JUMBO PARKING BLOCK

This unit is specified where stops are required for large Trucks, Tractors, etc., or in parking areas where maximum protection is required around Signs, Planters, Meters, Display Windows, etc. Has three anchor pin holes.

	<u>WEIGHT</u>	<u>PALLET QUANTITY</u>
8 FT. LONG .....	1,180#	2

### AVAILABLE ANCHOR PINS (Pointed Type)

- 1/2" Dia. x 14" long - steel (50 pins per bundle)
- 5/8" Dia. x 24" long - steel (25 pins per bundle)

### BASIC USES AND FEATURES

- As noted for each type shown. Meets requirements of ODOT TE-24 Program.

### COMPOSITION & MATERIALS

- Concrete: Air Entrained, achieving 5000 PSI compressive strength in 28 days.
- Reinforcing: Steel rebar as noted.

### AVAILABLE FINISH

- Smooth As-cast surfaces, natural concrete color.

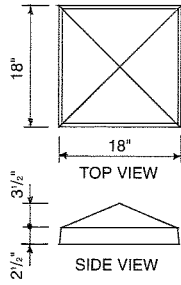


**OBERFIELD'S INC®**

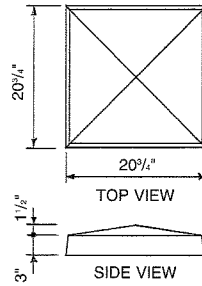
SOLID PERFORMANCE IN CONCRETE PRODUCTS

P.O. Box 362 Delaware, Ohio 43015-0362 • 614-369-7644

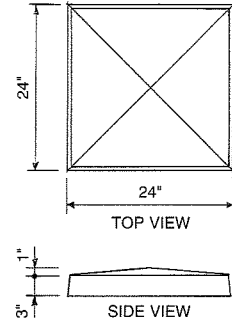
# CONCRETE PIER CAPS



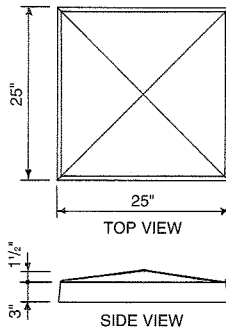
**PIER CAP #1**  
WEIGHT: 90 LBS.



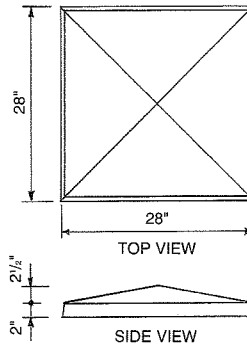
**PIER CAP #2**  
WEIGHT: 125 LBS.



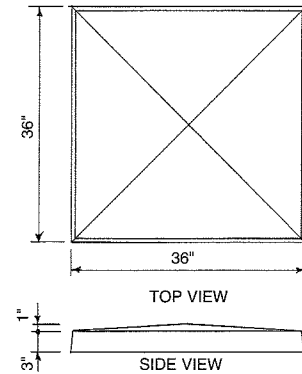
**PIER CAP #3**  
WEIGHT: 155 LBS.



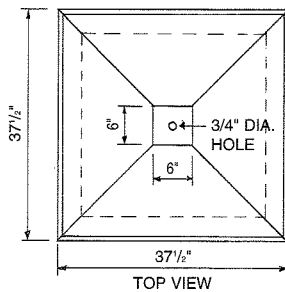
**PIER CAP #4**  
WEIGHT: 175 LBS.



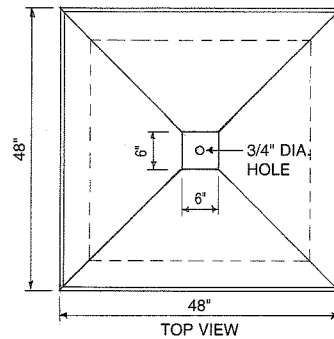
**PIER CAP #5**  
WEIGHT: 170 LBS.



**PIER CAP #6**  
WEIGHT: 350 LBS.



**PIER CAP #7**  
WEIGHT: 745 LBS.



**PIER CAP #8**  
WEIGHT: 1285 LBS.

## BASIC USES AND FEATURES

- For caps on top of free-standing masonry piers.

## COMPOSITION & MATERIALS

- Concrete: Air entrained, achieving 5000 PSI compressive strength in 28 days.
- Reinforcing: Steel rebars in each unit.

## AVAILABLE FINISHES

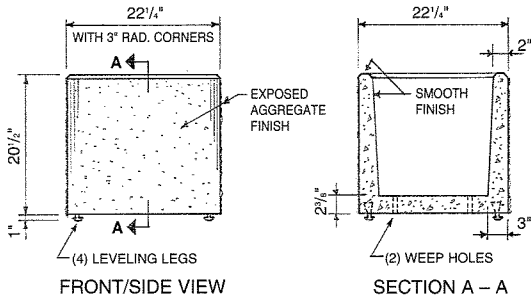
- Light Sandblast Texture, natural concrete color.
- Smooth As-cast Surfaces, natural concrete color.
- Hand Applied Texture Coating, light gray color.



**OBERFIELD'S INC®**  
SOLID PERFORMANCE IN CONCRETE PRODUCTS

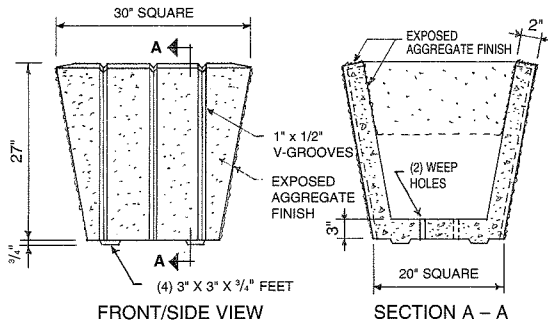
P.O. Box 362 Delaware, Ohio 43015-0362 • 614-369-7644

# SMALL PLANTERS



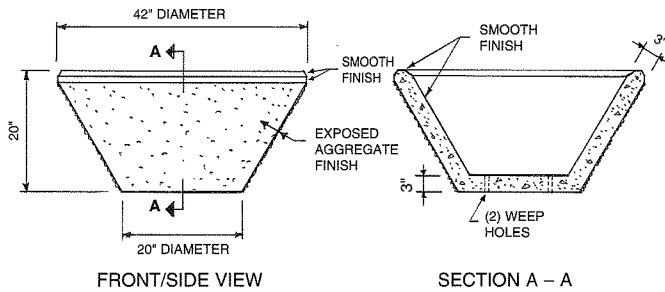
**SMALL PLANTER SP-1**

- WEIGHT: 450 LBS.
- PALLET QUANTITY: 4



**SMALL PLANTER SP-2**

- WEIGHT: 650 LBS.
- PALLET QUANTITY: 1



**SMALL PLANTER SP-3**

- WEIGHT: 550 LBS.
- PALLET QUANTITY: 1



**SMALL PLANTER SP-1**  
EXPOSED AGGREGATE #1 FINISH



**SMALL PLANTER SP-2**  
EXPOSED AGGREGATE #1 FINISH



**SMALL PLANTER SP-3**  
EXPOSED AGGREGATE #1 FINISH

## BASIC USES AND FEATURES

- For exterior and interior locations at commercial and business facilities, schools and streetscapes.
- Attractive units with maximum resistance to weather and vandalism.
- Weep holes of interior units must be sealed watertight.

## COMPOSITION & MATERIALS

- Concrete: Air entrained, achieving 5000 PSI compressive strength in 28 days.
- Reinforcing: Steel rebar's each unit.

## AVAILABLE FINISHES

- Exposed Aggregate #1, Gray crushed limestone, 3/4" top size.
- Exposed Aggregate #2, Tan silica gravel, 1/2" top size.
- Light Sandblast Texture, natural concrete color.



**OBERFIELD'S INC®**  
SOLID PERFORMANCE IN CONCRETE PRODUCTS

P.O. Box 362 Delaware, Ohio 43015-0362 • 614-369-7644



# LARGE PLANTERS

## BASIC USES AND FEATURES

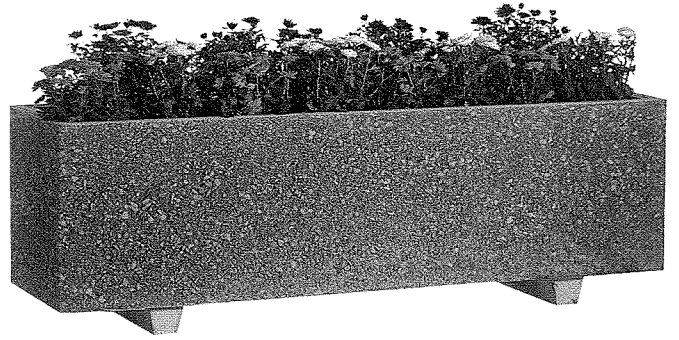
- For exterior and interior locations at commercial and business facilities, schools and streetscapes.
- Attractive units with maximum resistance to weather and vandalism.
- Weep holes of interior units must be sealed watertight.

## COMPOSITION & MATERIALS

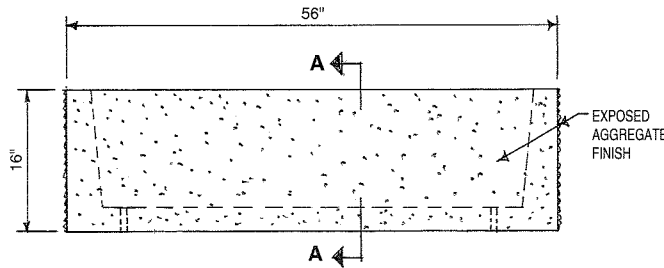
- Concrete: Air entrained, achieving 5000 PSI compressive strength in 28 days.
- Reinforcing: Steel rebars in shell.

## AVAILABLE FINISHES

- Exposed Aggregate #1, Gray crushed limestone, 3/4" top size.
- Exposed Aggregate #2, Tan silica gravel, 1/2" top size.



LARGE PLANTER LP-2 with Exposed Aggregate #1 Finish

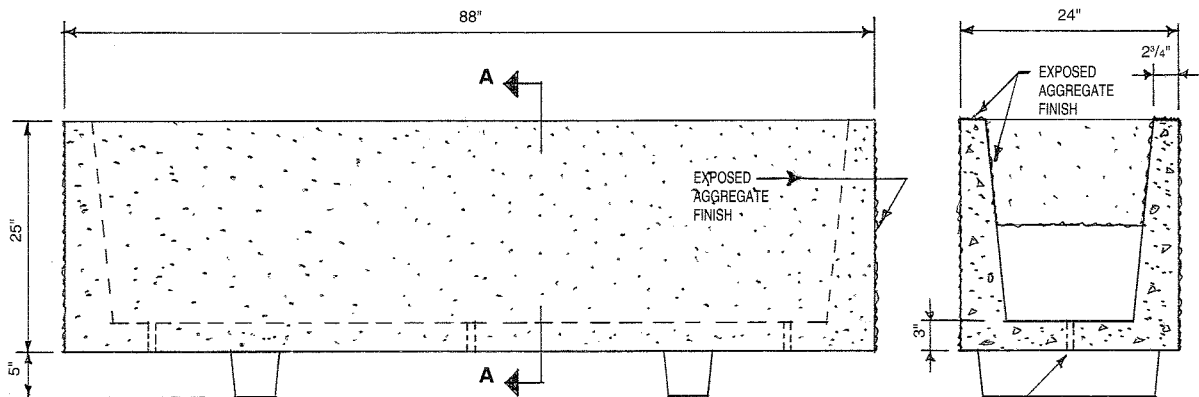


FRONT VIEW

LARGE PLANTER LP-1

- WEIGHT: 650 LBS.
- PALLET QUANTITY: 1

SECTION A-A



FRONT VIEW

LARGE PLANTER LP-2

- WEIGHT: 1785 LBS.
- PALLET QUANTITY: 1

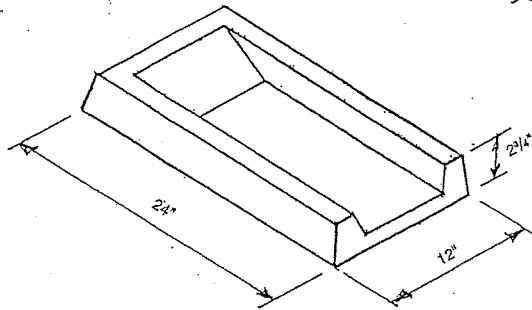
SECTION A-A



**OBERFIELD'S INC®**  
SOLID PERFORMANCE IN CONCRETE PRODUCTS

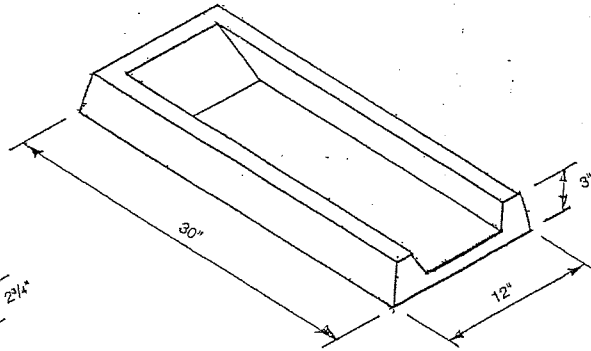
P.O. Box 362 Delaware, Ohio 43015-0362 • 614-369-7644

# SPLASH BLOCKS



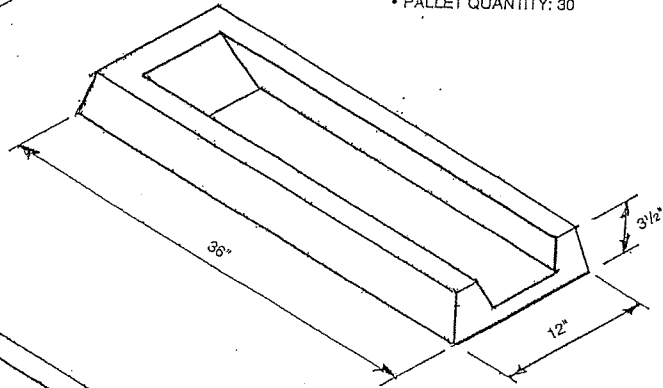
**SPLASH BLOCK #1**

- WEIGHT: 40 LBS.
- PALLET QUANTITY: 25



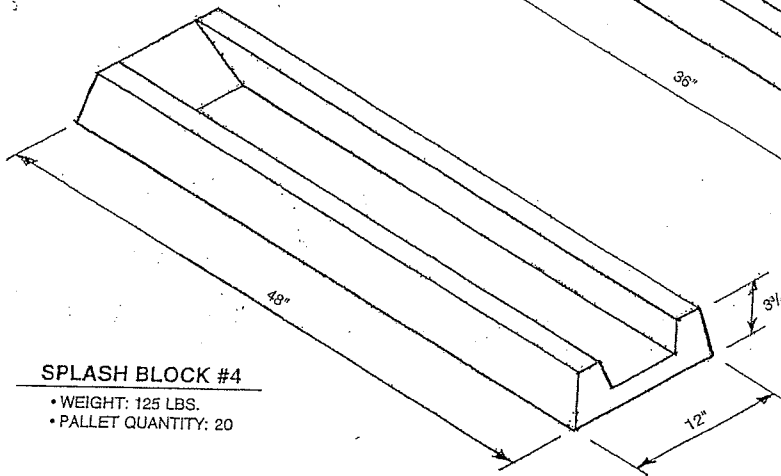
**SPLASH BLOCK #2**

- WEIGHT: 45 LBS.
- PALLET QUANTITY: 30



**SPLASH BLOCK #3**

- WEIGHT: 88 LBS.
- PALLET QUANTITY: 30



**SPLASH BLOCK #4**

- WEIGHT: 125 LBS.
- PALLET QUANTITY: 20

## BASIC USES AND FEATURES

- For use under downspout outlet at ground level or at a roof level.
- Directs water and prevents washout under downspout outlet.
- Meets FHA standards for acceptable lengths.

## COMPOSITION & MATERIALS

- Concrete: Air entrained, achieving 5000 PSI compressive strength in 28 days.

## AVAILABLE FINISH

- Smooth As-cast Surfaces, natural concrete color.



**OBERFIELD'S INC<sup>®</sup>**  
SOLID PERFORMANCE IN CONCRETE PRODUCTS

P.O. Box 362 Delaware, Ohio 43015-0362 • 614-369-7644

# STEP UNITS & RAILINGS

## BASIC USES AND FEATURES

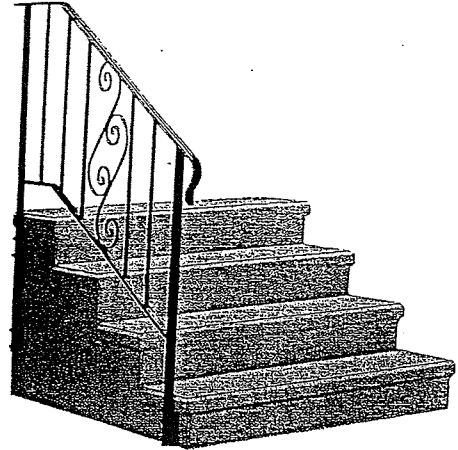
- For exterior use at entrances of houses, apartments and other facilities as applicable.
- Railing assemblies are designed for mounting to side(s) of step unit.
- All step units are 48" wide. Railings may be one or both sides.
- Pallet quantity is one (1) except as otherwise noted.

## COMPOSITION & MATERIALS

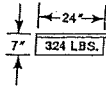
- Concrete: Air entrained and fiber reinforced, achieving 5000 PSI strength in 28 days.
- Reinforcing: Steel rebars in top platform as required for size.
- Railing Assemblies: Wrought iron, prime painted; includes anchors and spacers.
- Lifting brackets are available for step units.

## AVAILABLE FINISH

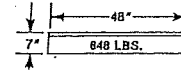
- Concrete: Smooth As-cast Surfaces, natural concrete color, except all treads and platforms have slip-resistant broom finish.
- Metal: All railings have paint primer finish.



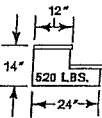
**STEP: S017**  
• Pallet Quantity: 6



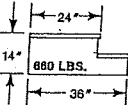
**STEP: S01724**  
• Pallet Quantity: 4



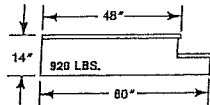
**STEP: S01748**  
• Pallet Quantity: 2



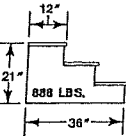
**STEPS: S027**  
• Pallet Quantity: 2



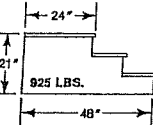
**STEPS: S02724**  
• Pallet Quantity: 1



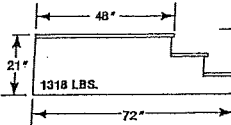
**STEPS: S02748**  
• Pallet Quantity: 1



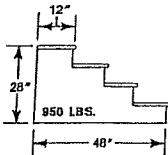
**STEPS: S037**  
RAILING: 3RW/0



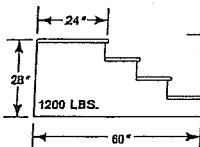
**STEPS: S03724**  
RAILING: 3RW/0



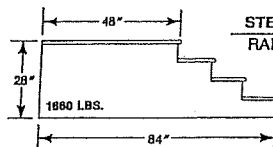
**STEPS: S03748**  
RAILING: 3R48



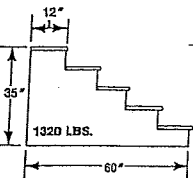
**STEPS: S047**  
RAILING: 4RW/0



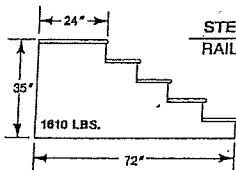
**STEPS: S04724**  
RAILING: 4RW/0



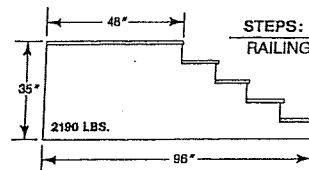
**STEPS: S04748**  
RAILING: 4R48



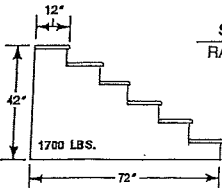
**STEPS: S057**  
RAILING: 5RW/0



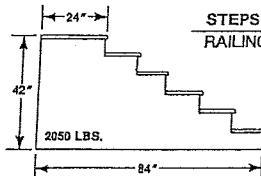
**STEPS: S05724**  
RAILING: 5RW/0



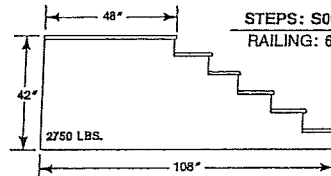
**STEPS: S05748**  
RAILING: 5R48



**STEPS: S067**  
RAILING: 6RW/0



**STEPS: S06724**  
RAILING: 6RW/0



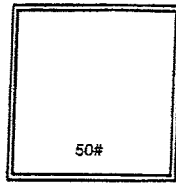
**STEPS: S06748**  
RAILING: 6R48



**OBERFIELD'S INC®**  
SOLID PERFORMANCE IN CONCRETE PRODUCTS

P.O. Box 362 Delaware, Ohio 43015-0362 • 614-369-7644

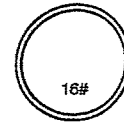
# MACHINE-MADE WALK BLOCKS & EDGING



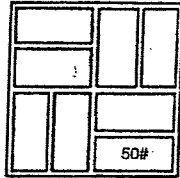
**18" x 18"**  
48 PER PALLET



**8" x 16"**  
180 PER PALLET



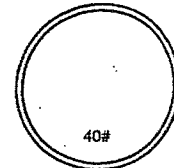
**12" ROUND**  
100 PER PALLET.



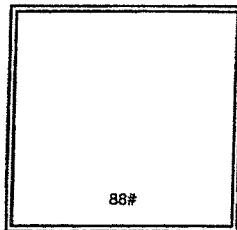
**18" x 18" BRICK FACE**  
48 PER PALLET



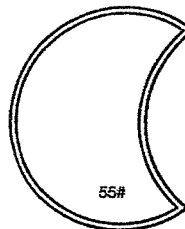
**18" HEXAGON**  
48 PER PALLET



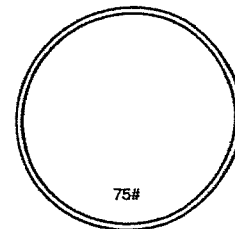
**18" ROUND**  
50 PER PALLET



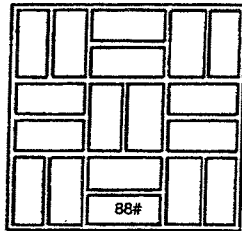
**24" x 24"**  
24 PER PALLET



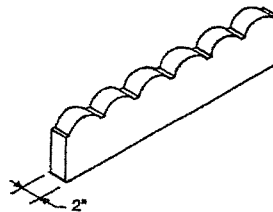
**24" - 3/4 ROUND MOON**  
25 PER PALLET



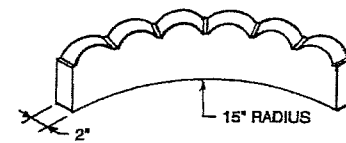
**24" ROUND**  
25 PER PALLET



**24" x 24" BRICK FACE**  
24 PER PALLET



**FLORAL EDGER - STRAIGHT**  
**5 1/2" HIGH x 24" LONG**  
144 PER PALLET



**FLORAL EDGER - CURVED**  
**5 1/2" HIGH x 24" LONG**  
15" RADIUS  
120 PER PALLET

## BASIC USES AND FEATURES

- For exterior walks, patios and landscape accents.
- All walk blocks are 2" thick, and top edges are chamfered except the 8" x 16" unit has square edges.

## COMPOSITION & MATERIALS

- Concrete: Durable no-slump mix.

## AVAILABLE FINISHES

- Fine slip-resistant texture imparted by standard manufacturing process. Simulated brick pattern is provided on top surface of certain units as indicated.
- Stock colors are Natural Gray, Red, and Earth Blend except stock colors for the 8" x 16" unit are Natural Gray, Red, and Charcoal.



**OBERFIELD'S INC®**  
SOLID PERFORMANCE IN CONCRETE PRODUCTS

P.O. Box 362 Delaware, Ohio 43015-0362 • 614-369-7644