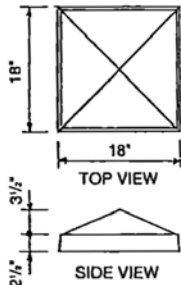
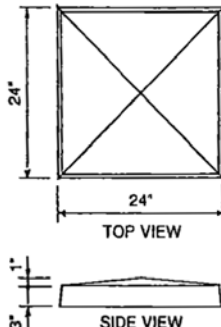
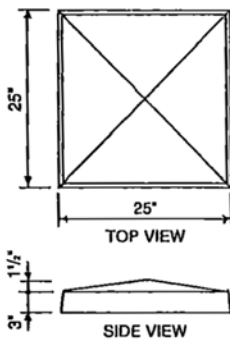
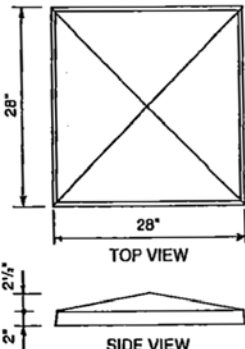
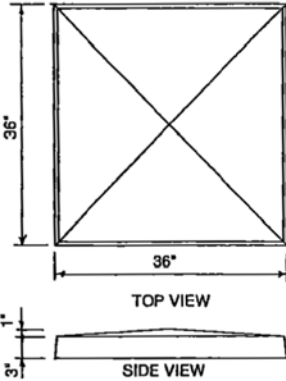
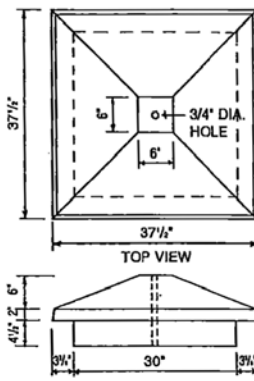
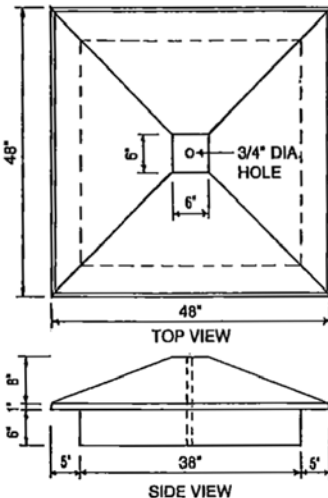


CONCRETE PIER CAPS



 <p>PIER CAP #1 WEIGHT: 90 LBS.</p>	 <p>PIER CAP #3 WEIGHT: 155 LBS.</p>	 <p>PIER CAP #4 WEIGHT: 175 LBS.</p>
 <p>PIER CAP #5 WEIGHT: 170 LBS.</p>	 <p>PIER CAP #6 WEIGHT: 350 LBS.</p>	 <p>PIER CAP #7 WEIGHT: 745 LBS.</p>
 <p>PIER CAP #8 WEIGHT: 1285 LBS.</p>	<p>BASIC USES AND FEATURES</p> <ul style="list-style-type: none"> • For caps on top of free-standing masonry piers. <p>COMPOSITION & MATERIALS</p> <ul style="list-style-type: none"> • Concrete: Air entrained, achieving 5000 PSI compressive strength in 28 days. • Reinforcing: Steel rebars in each unit <p>AVAILABLE FINISHES</p> <ul style="list-style-type: none"> • Light Sandblast Texture, natural concrete color. • Smooth As-cast Surfaces, natural concrete color. • Colored Precast "PC" finishes available with light sandblast texture. 	