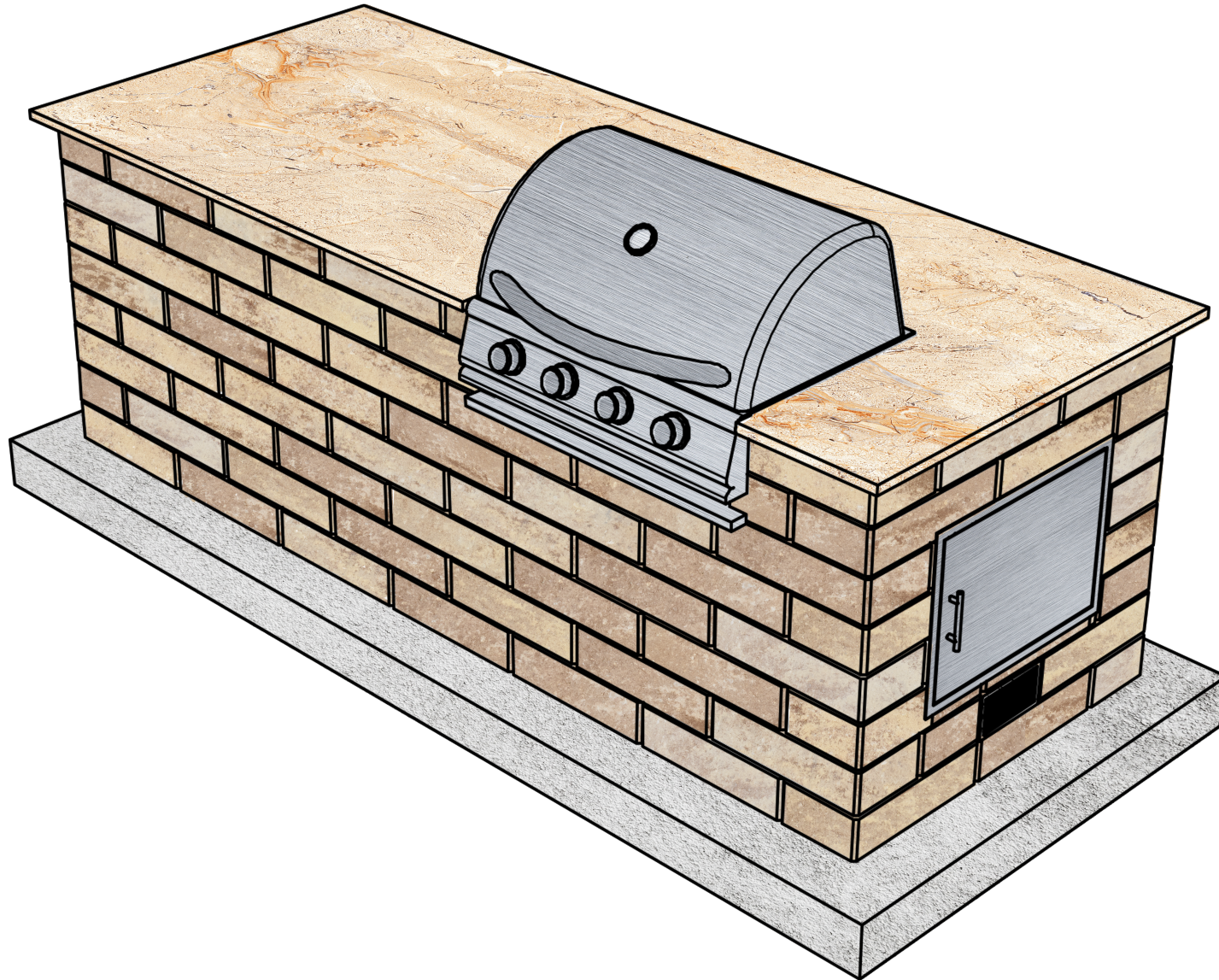




**oberfields**<sup>TM</sup>  
A QUIKRETE® COMPANY

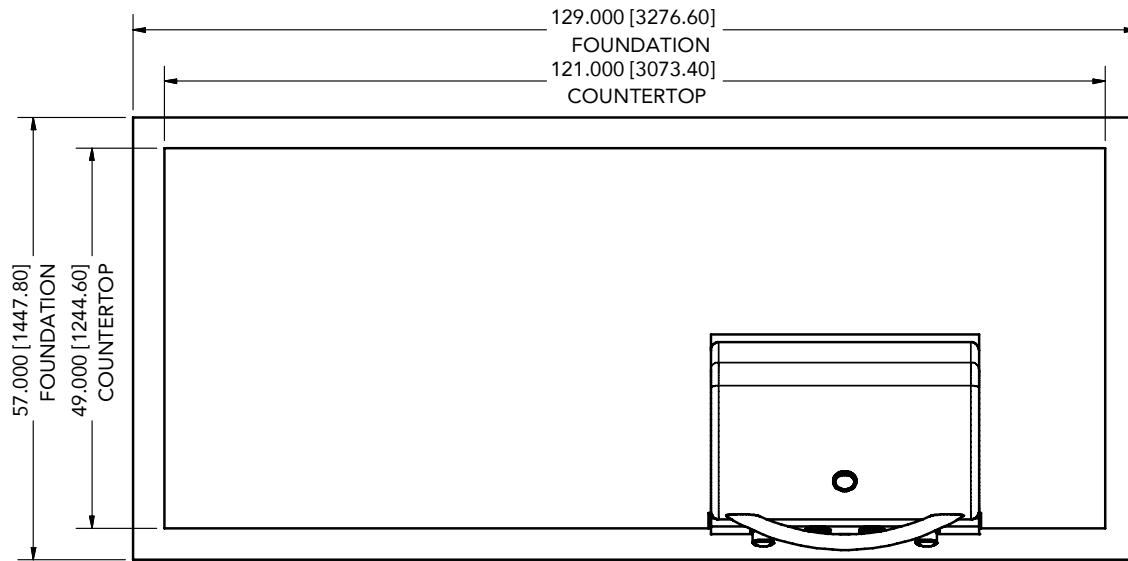


**LENZA**

45 X 117 GRILL TOP - RIGHT DOOR DESIGN

# LENZA - 45 x 117 GRILL TOP - RIGHT DOOR DESIGN

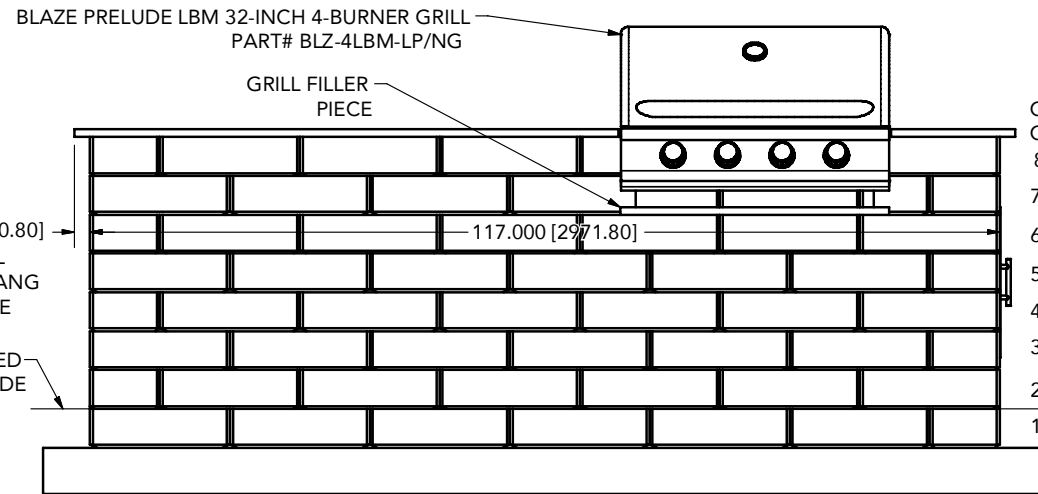
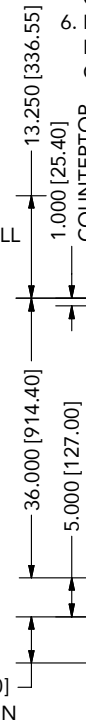
## OUTDOOR LIVING DESIGNS



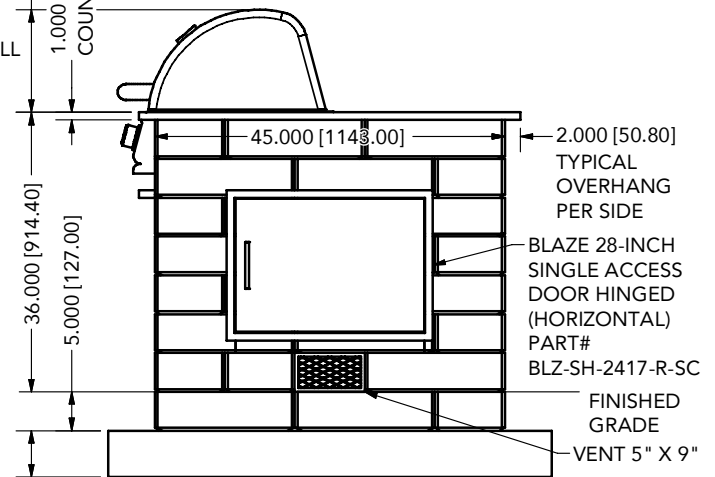
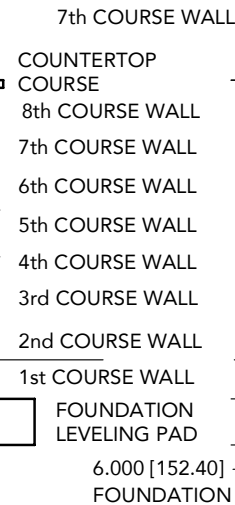
PLAN VIEW

NOTE:

1. WALL UNITS TO BE INSTALLED WITH CHANNEL ON THE BOTTOM SIDE IN ORDER TO GET THE PROPER CONTEMPORARY ESTHETIC LOOK. (WALL PRODUCT TO BE INVERTED 180 DEGREES FROM FINISHED PALLET WHEN INSTALLED).
2. SECURE EACH UNIT USING APPROVED ADHESIVE OR BONDING AGENT FOLLOWING APPLICATION DIRECTIONS PROVIDED BY PRODUCT SUPPLIER.
3. THIS DESIGN REQUIRES CUTTING UNITS TO PROPERLY FIT THE GRILL TOP AND ACCESS DOOR.
4. BUILT-IN GRILL INSERT AND ACCESS DOOR TO BE INSTALLED PER MANUFACTURES RECOMMENDATIONS.
5. STRUCTURAL SUPPORT FOR BLOCK UNITS OVER OPENINGS NOT SHOWN FOR VISUAL PURPOSES.
6. FOR PROPER INSTALLATION OF GAS GRILL REFER TO BLAZE OUTDOOR PRODUCTS - USE & CARE GUIDE GAS GRILLS BLZ-4LBM (NG/LP).



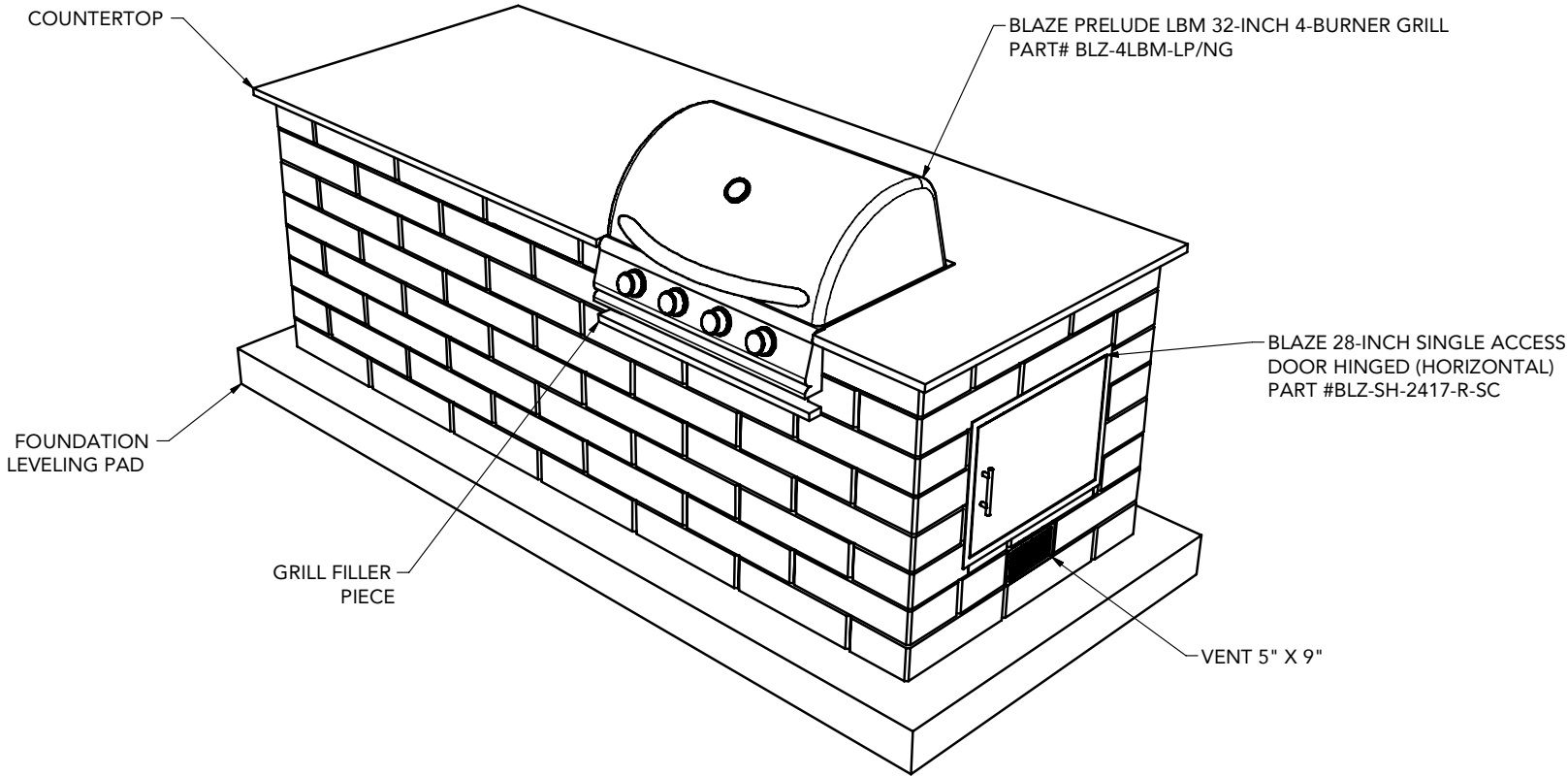
FRONT ELEVATION VIEW



SIDE ELEVATION VIEW

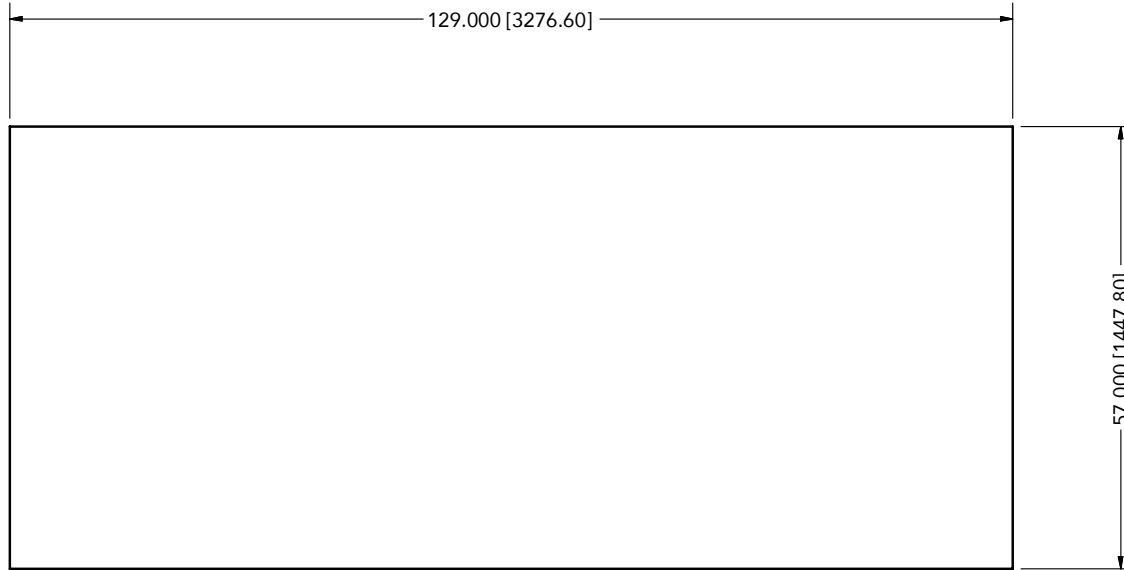
PRODUCT COUNTS:  
(128) TOTAL WALL UNITS

**LENZA - 45 x 117 GRILL TOP - RIGHT DOOR DESIGN**

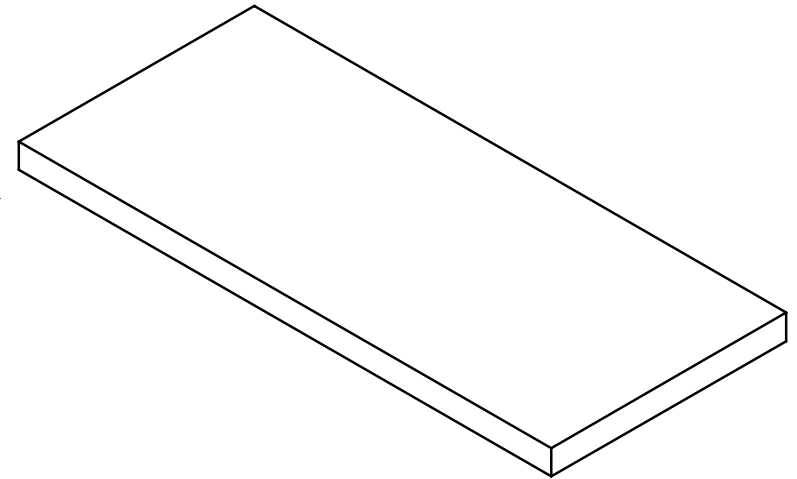


**ISOMETRIC VIEW**

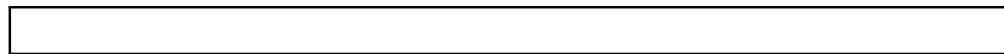
# LENZA - 45 x 117 GRILL TOP - RIGHT DOOR DESIGN



PLAN VIEW



ISOMETRIC VIEW



FRONT ELEVATION VIEW

CRUSHED STONE OR  
REINFORCED CONCRETE  
LEVELING PAD



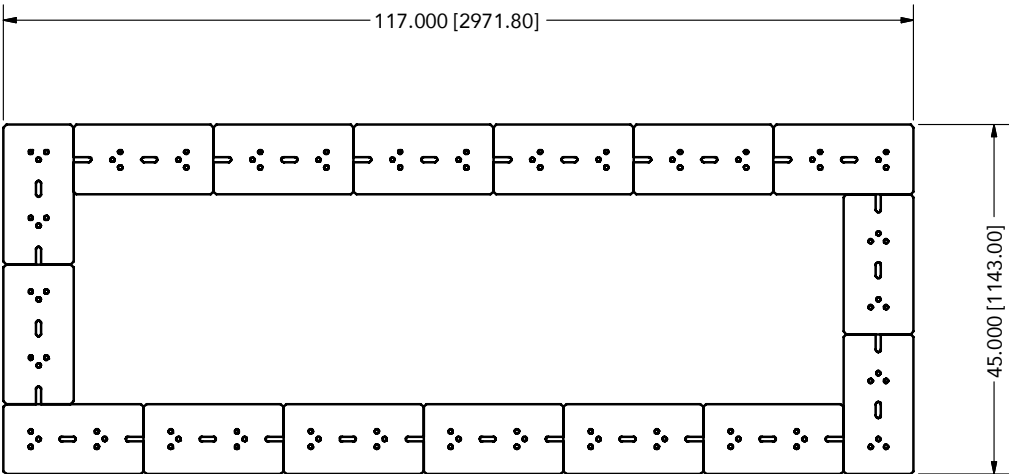
6.000 [152.40]



SIDE ELEVATION VIEW

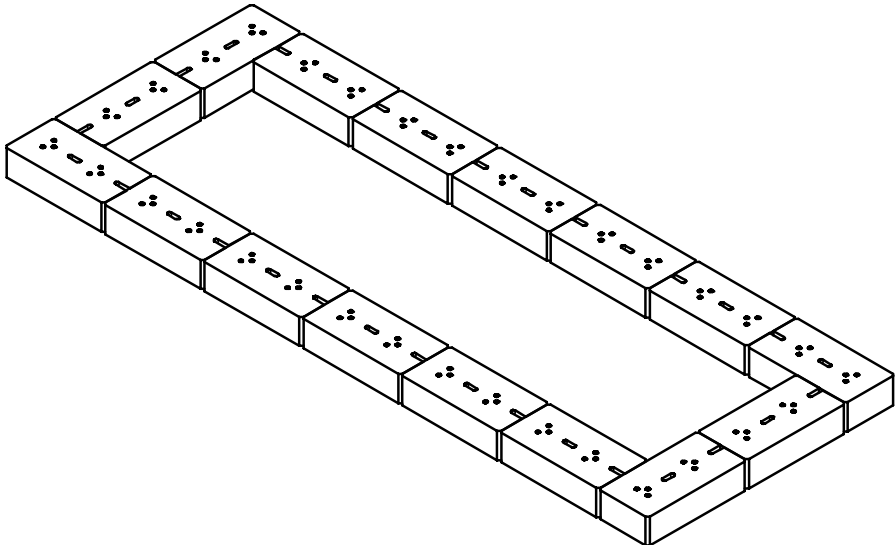
### LENZA - 45 x 117 GRILL TOP - RIGHT DOOR CUT DESIGN - FOUNDATION LEVELING PAD

# LENZA - 45 x 117 GRILL TOP - RIGHT DOOR DESIGN

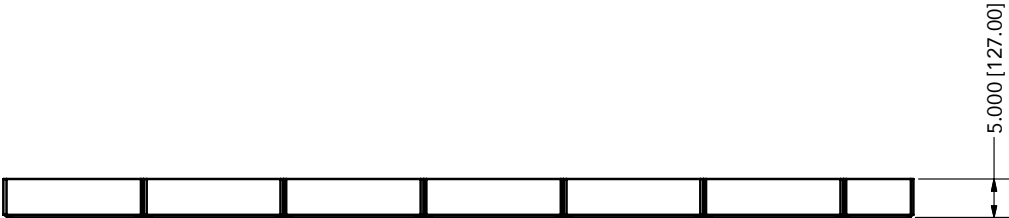


PLAN VIEW

NOTE:  
1. WALL UNITS TO BE INSTALLED WITH CHANNEL ON THE BOTTOM SIDE  
(PRODUCT IS TO BE INVERTED 180 DEGREES FROM FINISHED PALLET).



ISOMETRIC VIEW



ELEVATION VIEW



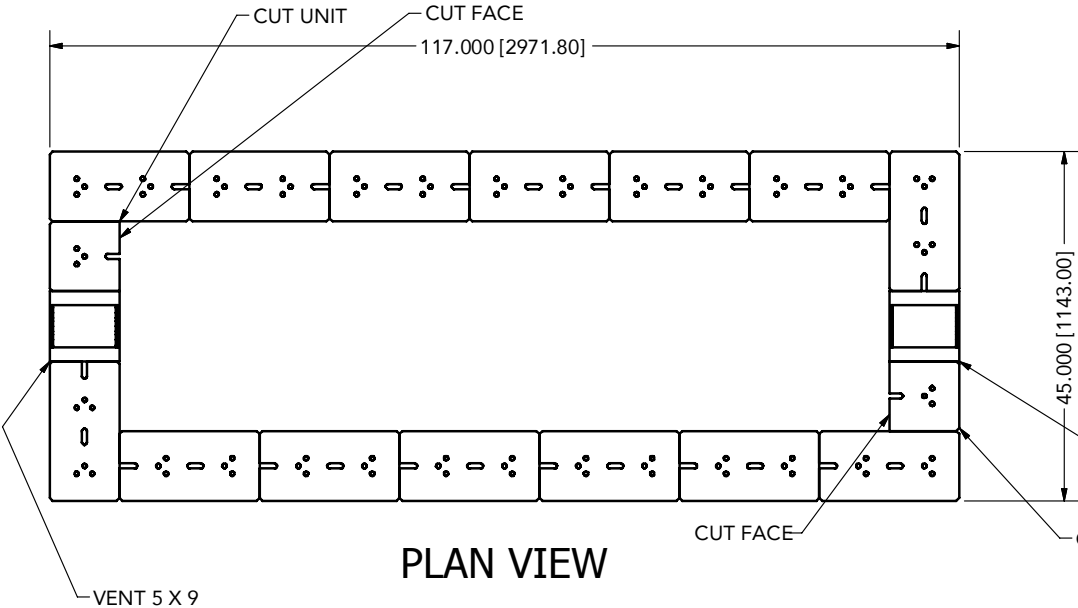
SIDE ELEVATION VIEW

PRODUCT COUNTS:  
(16) TOTAL WALL UNITS

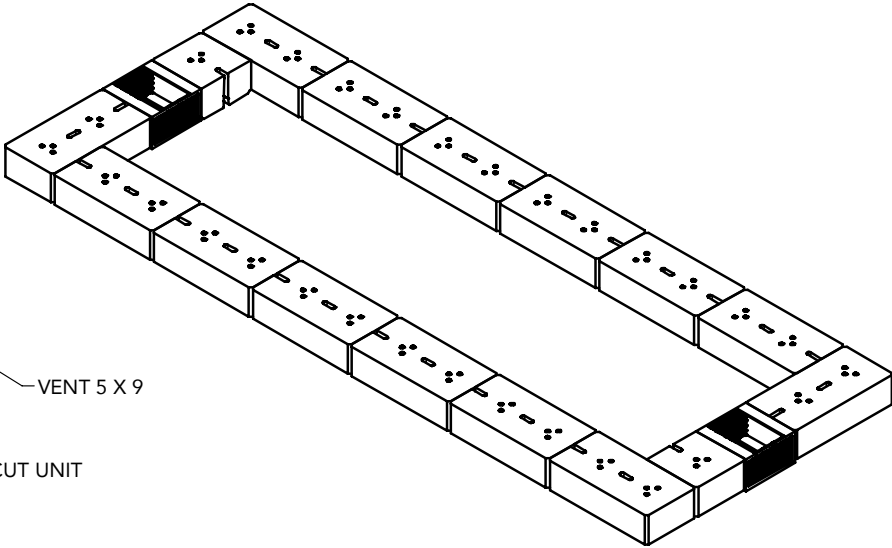
## LENZA - 45 x 117 GRILL TOP - RIGHT DOOR CUT DESIGN - 1st COURSE

**LENZA - 45 x 117 GRILL TOP - RIGHT DOOR DESIGN**

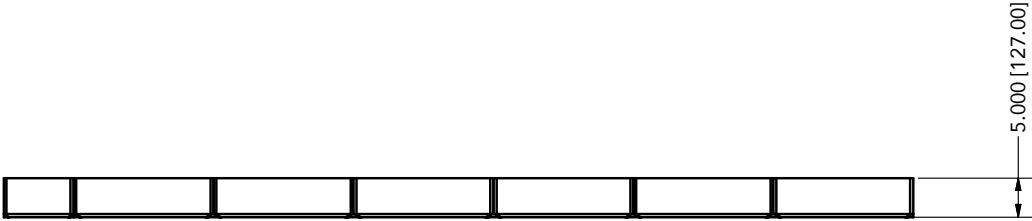
NOTE:  
 1. WALL UNITS TO BE INSTALLED WITH CHANNEL ON THE BOTTOM SIDE  
 (PRODUCT IS TO BE INVERTED 180 DEGREES FROM FINISHED PALLET).



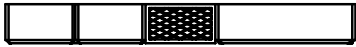
**PLAN VIEW**



**ISOMETRIC VIEW**



**FRONT ELEVATION VIEW**

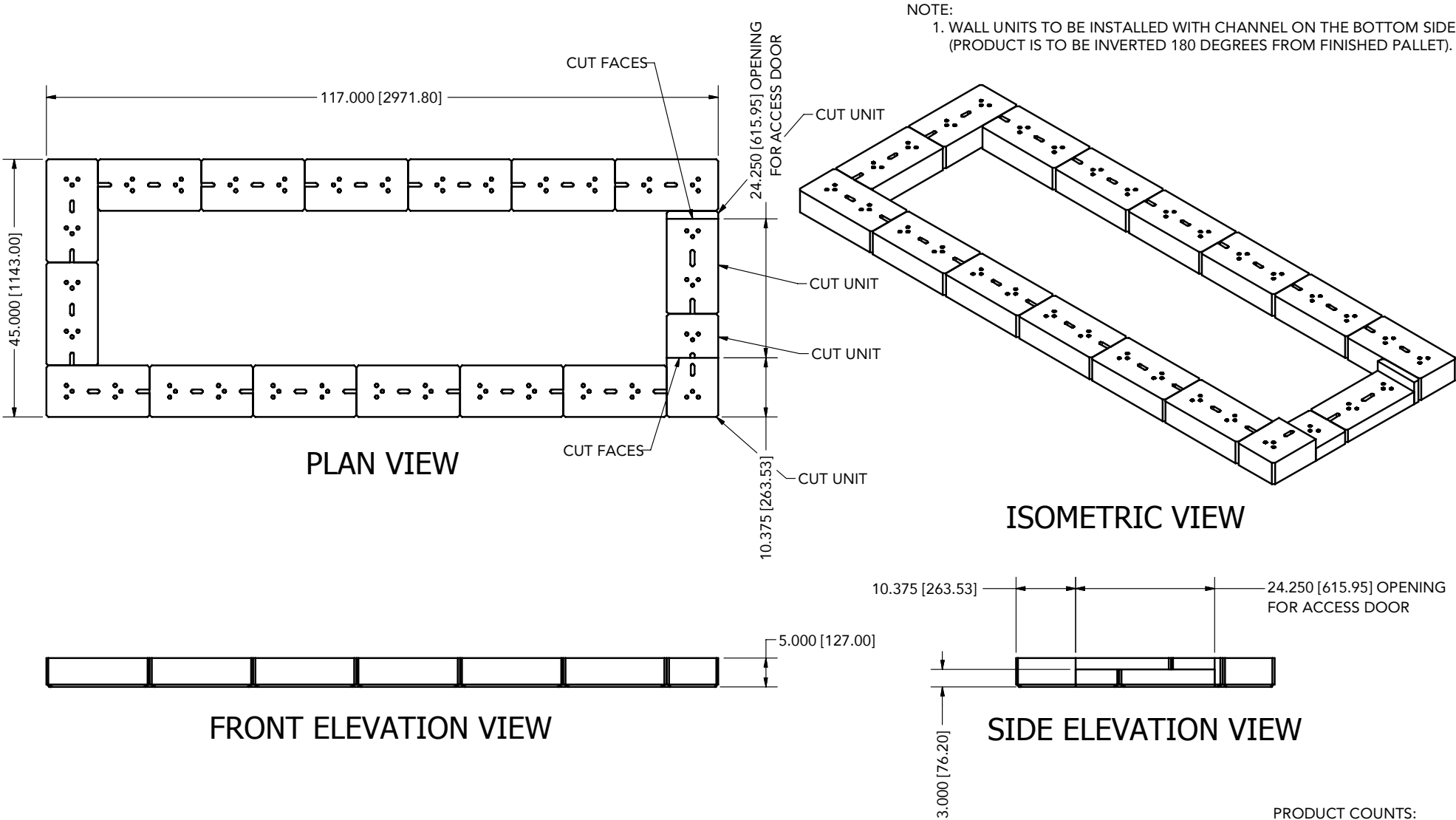


**SIDE ELEVATION VIEW**

PRODUCT COUNTS:  
 (16) TOTAL WALL UNITS

**LENZA - 45 x 117 GRILL TOP - RIGHT DOOR CUT DESIGN - 2nd COURSE**

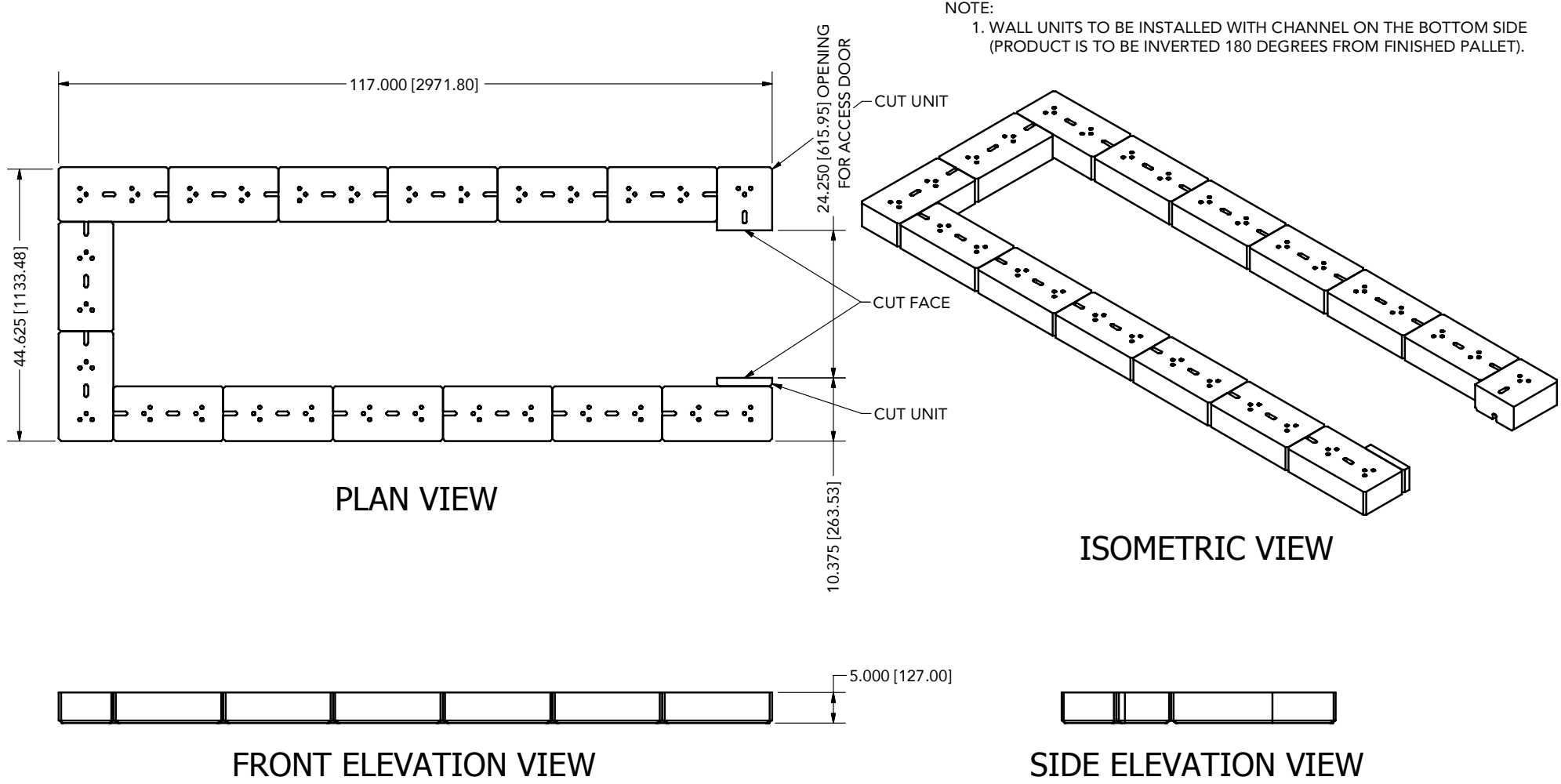
**LENZA - 45 x 117 GRILL TOP - RIGHT DOOR DESIGN**



**PRODUCT COUNTS:**  
(18) TOTAL WALL UNITS

**LENZA - 45 x 117 GRILL TOP - RIGHT DOOR CUT DESIGN - 3rd COURSE**

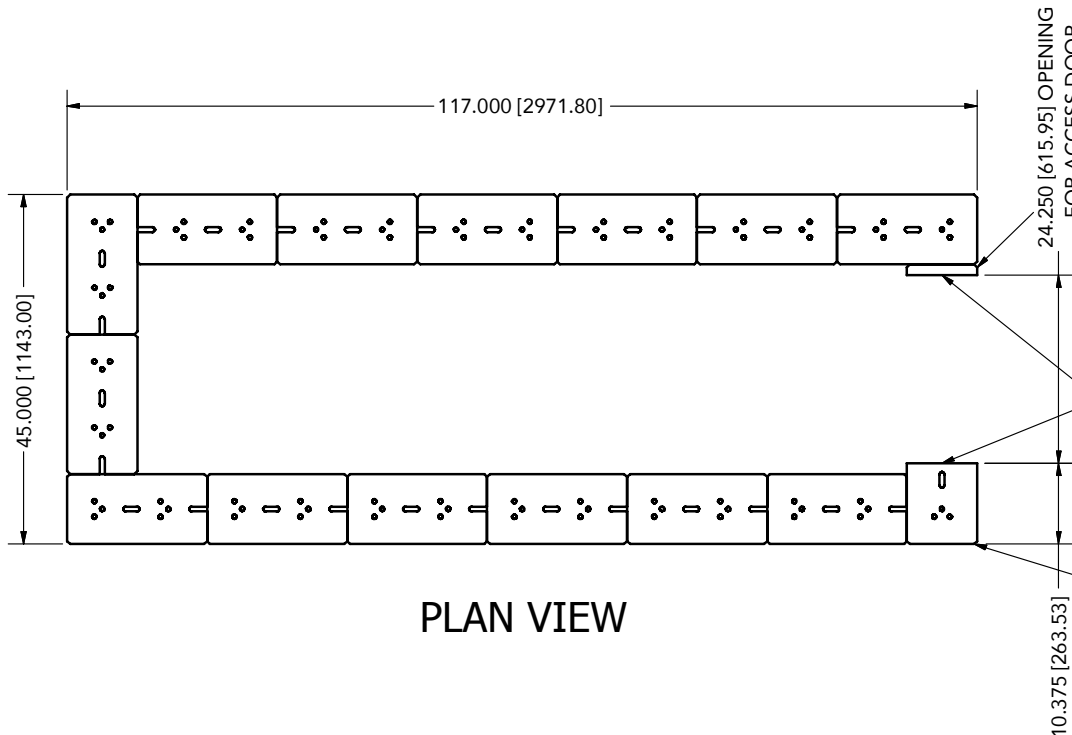
**LENZA - 45 x 117 GRILL TOP - RIGHT DOOR DESIGN**



**LENZA - 45 x 117 GRILL TOP - RIGHT DOOR CUT DESIGN - 4th AND 6th COURSES**

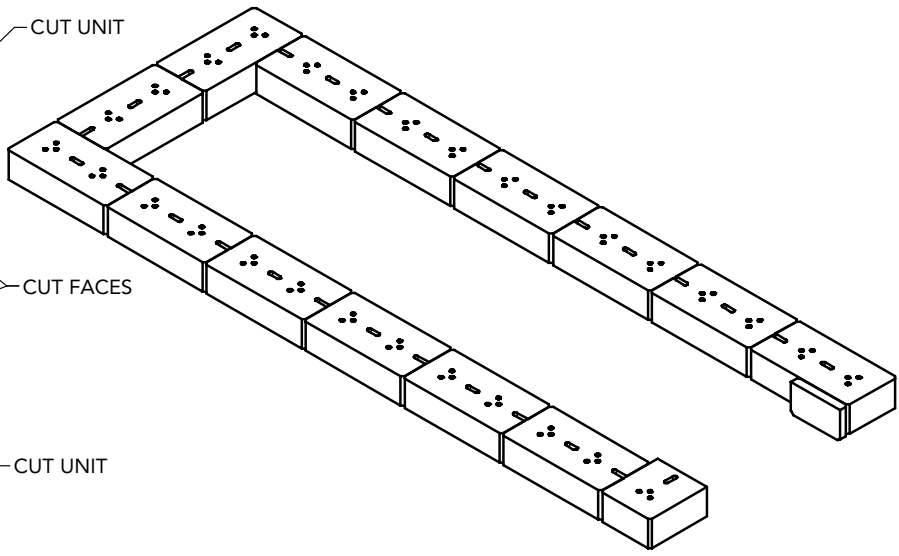
PRODUCT COUNTS:  
(16) TOTAL CAP UNITS

**LENZA - 45 x 117 GRILL TOP - RIGHT DOOR DESIGN**

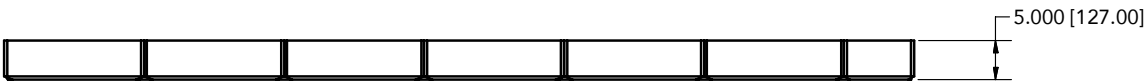


**PLAN VIEW**

NOTE:  
1. WALL UNITS TO BE INSTALLED WITH CHANNEL ON THE BOTTOM SIDE (PRODUCT IS TO BE INVERTED 180 DEGREES FROM FINISHED PALLET).



**ISOMETRIC VIEW**



**FRONT ELEVATION VIEW**

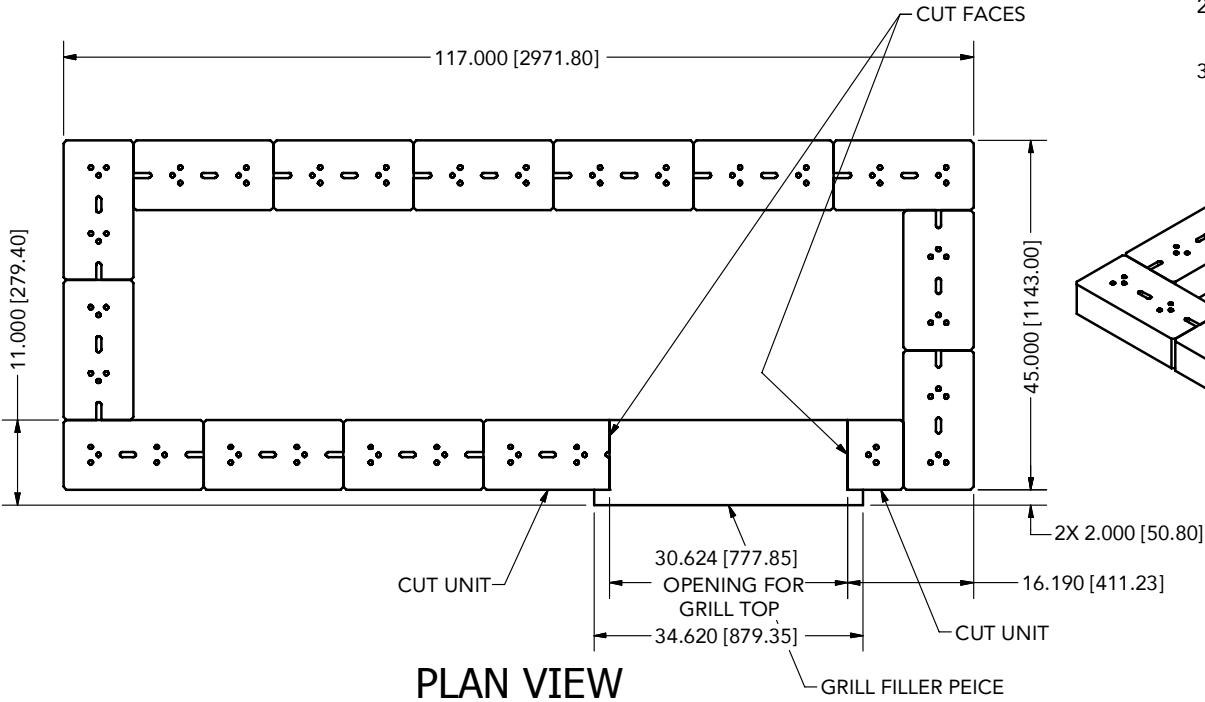


**SIDE ELEVATION VIEW**

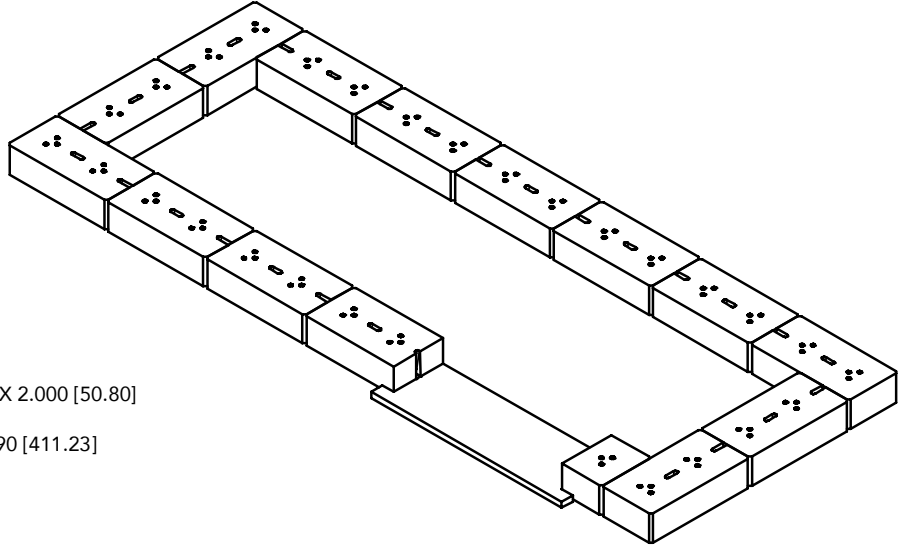
PRODUCT COUNTS:  
(16) TOTAL CAP UNITS

**LENZA - 45 x 117 GRILL TOP - RIGHT DOOR CUT DESIGN - 5th COURSE**

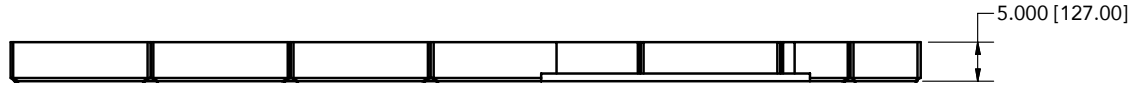
# LENZA - 45 x 117 GRILL TOP - RIGHT DOOR DESIGN



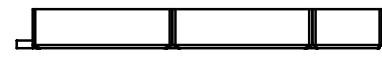
- NOTE:
1. WALL UNITS TO BE INSTALLED WITH CHANNEL ON THE BOTTOM SIDE (PRODUCT IS TO BE INVERTED 180 DEGREES FROM FINISHED PALLET).
  2. GRILL FILLER PIECE IS TO BE MADE FROM THE SAME MATERIAL AS THE COUNTER TOP, (1" ± THICK).
  3. UNLESS OTHERWISE DIRECTED INSTALL AND SECURE GRILL FILLER PIECE WITH APPROVED ADHESIVE OR BONDING AGENT.



FRONT ELEVATION VIEW



FRONT ELEVATION VIEW



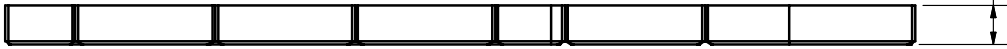
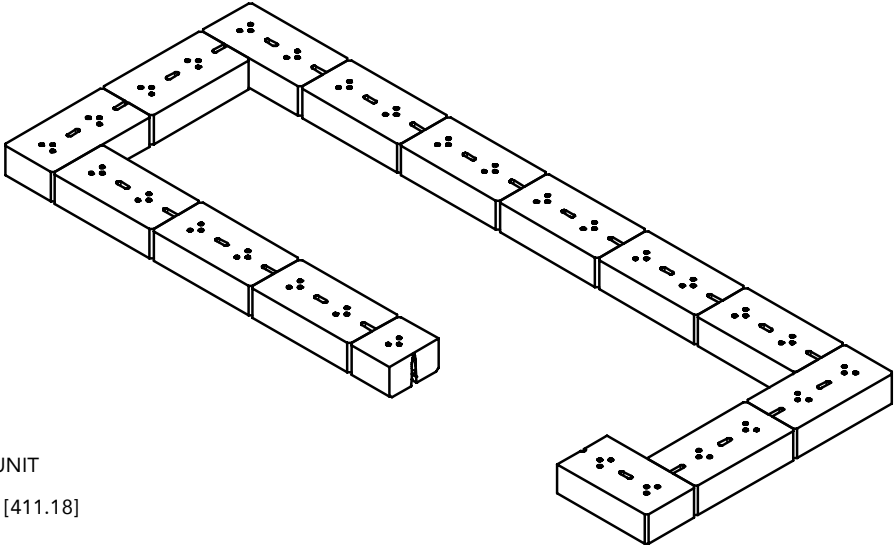
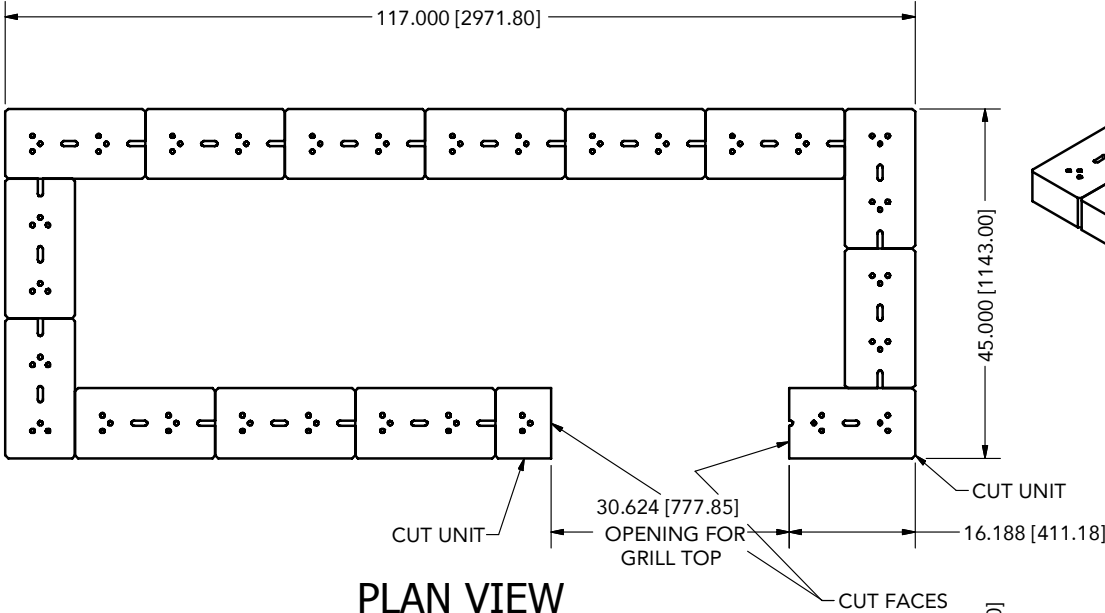
SIDE ELEVATION VIEW

## LENZA - 45 x 117 GRILL TOP - RIGHT DOOR CUT DESIGN - 7th COURSE

PRODUCT COUNTS:  
(15) TOTAL WALL UNITS

**LENZA - 45 x 117 GRILL TOP - RIGHT DOOR DESIGN**

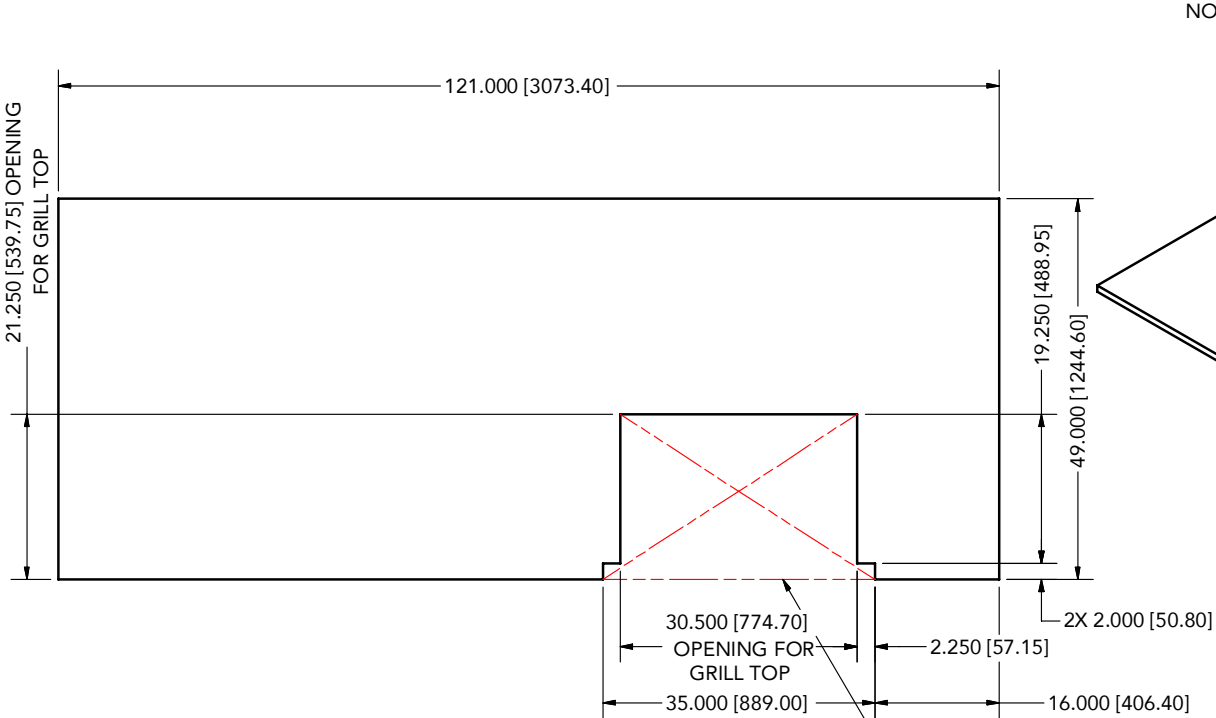
NOTE:  
 1. WALL UNITS TO BE INSTALLED WITH CHANNEL ON THE BOTTOM SIDE  
 (PRODUCT IS TO BE INVERTED 180 DEGREES FROM FINISHED PALLET).



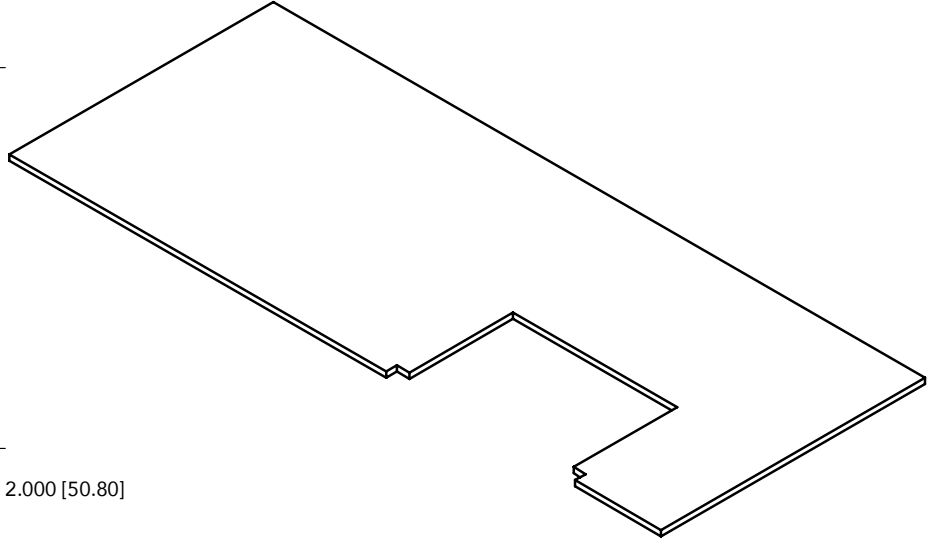
**LENZA - 45 x 117 GRILL TOP - RIGHT DOOR CUT DESIGN - 8th COURSE**

PRODUCT COUNTS:  
 (15) TOTAL WALL UNITS

**LENZA - 45 x 117 GRILL TOP - RIGHT DOOR DESIGN**



NOTE:  
1. UNLESS OTHERWISE DIRECTED INSTALL AND SECURE COUNTERTOP WITH APPROVED ADHESIVE OR BONDING AGENT.



**PLAN VIEW**

**ISOMETRIC VIEW**



**FRONT ELEVATION VIEW**

**SIDE ELEVATION VIEW**

**LENZA - 45 x 117 GRILL TOP - RIGHT DOOR CUT DESIGN - COUNTERTOP COURSE**