

Type: 4' Commercial  
Parking Block

Width: 10"  
Height: 6"  
Length: 48"

Number of Molds  
Available: 15

Item Number:  
P802400000000000  
Mold Number:  
4' Commercial Parking  
Block

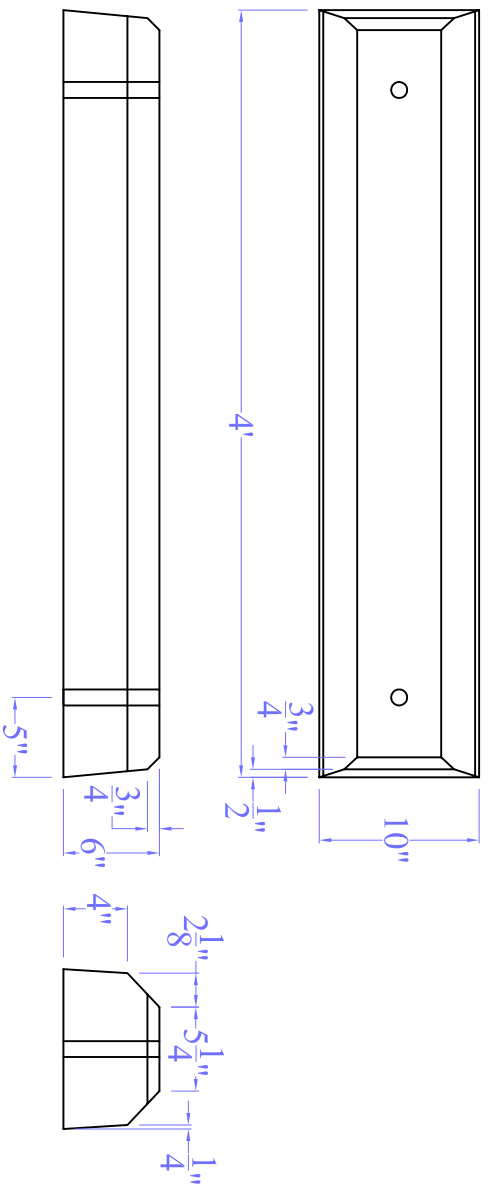


No.	Revision/Phase	Date

Oberfield's, Inc.  
1165 Alum Creek Dr.  
Columbus, OH 43209  
800-845-7644

Oberfield Precast  
Concrete

Scale	Notes
1/4" = 1'-0"	



Oberfield's, Inc.  
1165 Alum Creek Dr.  
Columbus, OH 43209  
800-845-7644

Scale	Notes
1/4" = 1'-0"	