

Type: Pier Cap
Width: 17 7/8"
Height: 8"
Length: 52"

Number of Molds Available: 1

Item Number: S30185280
Mold Number: PC1852

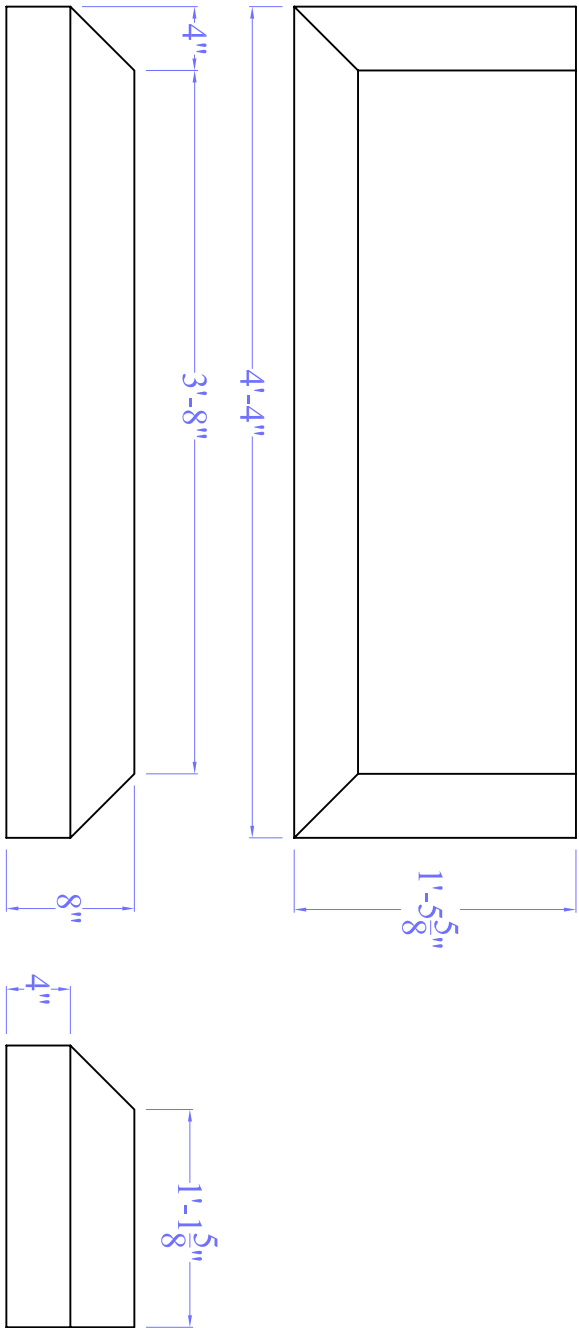


No.	Revision/Issue	Date

Prepared and Issued by:
Oberfield's, INC
1165 Alum Creek Dr.
Columbus, OH 43209
800-845-7644

Oberfield Precast
Concrete

Item	Material
12-23-05	
1" = 1'-0"	



17 7/8"

52"

1'-1 5/8"

8"

4"