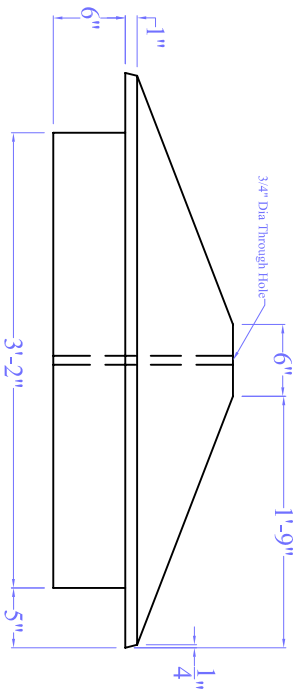


***Note: Bottom 6" neck of unit can be omitted during production if requested. Standard unit includes 6" neck.



Type: Pier Cap
 Width: 48"
 Height: 15"
 Length: 48"
 Number of Molds Available: 1

Item Number: S304848150
 Mold Number: PC4848



No.	Revision/Phase	Date

For Sales and Orders:
 Oberfield's INC
 1165 Alum Creek Dr
 Columbus, OH 43209
 800-845-7644

Oberfield Precast
 Concrete

Date 1" = 1'-0"	Scale
--------------------	-------