

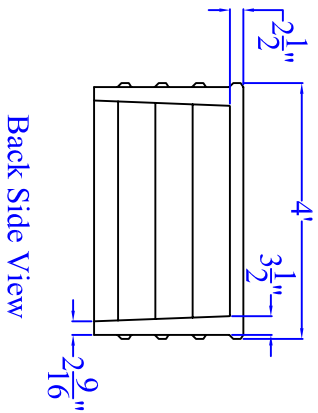
Type: 4 Step

Width: 48"

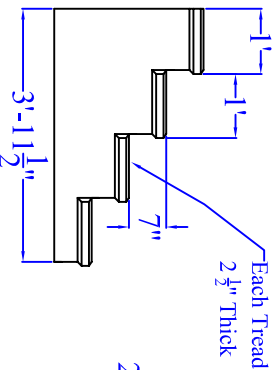
Height: 28"

Length: 48"

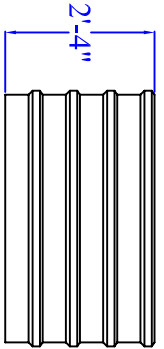
Number of Molds Available: Various



Back Side View



Left Side View



Front Side View

Item Number:
S047

Mold Number:
Various



For Sales and Orders:
Oberfield's, Inc.
1165 Alum Creek Dr.
Columbus, OH 43209
800-845-7644

Oberfield Precast
Concrete

Part	Part
1-25-06	
Scale: 3/8" = 1'-0"	