

Type: 6 Step
12" Platform

Width: 48"
Height: 42"
Length: 72"

Number of Molds
Available: Various

Item Number:
S067
Mold Number:
Various

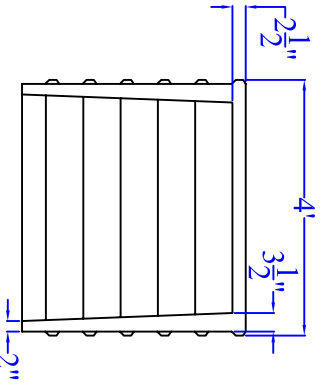


No.	Revision/Phase	Date

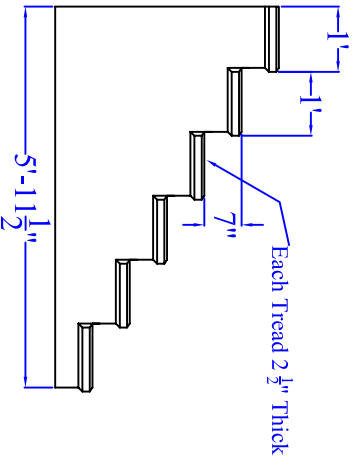
Oberfield's, Inc.
1165 Alum Creek Dr.
Columbus, OH 43209
800-845-7644

Oberfield Precast
Concrete

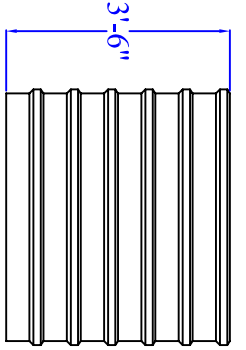
Model	Material
1-25-06	



Back Side View



Left Side View



Front Side View