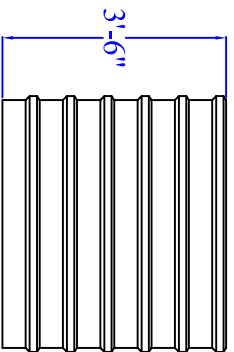


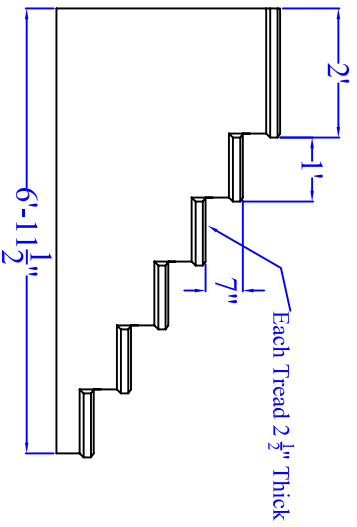
Type: 6 Step
24" Platform

Width: 48"
Height: 42"
Length: 84"

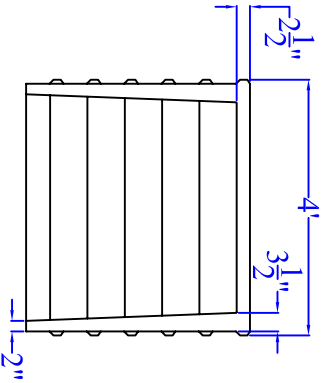
Number of Molds
Available: Various



Front Side View



Left Side View



Back Side View

Item Number: S06724	
Mold Number: Various	
Rev. Revision/Issue Date	
Oberfield's, INC. 1165 Alum Creek Dr. Columbus, OH 43209 800-845-7644	
Oberfield Precast Concrete	
Part 1-25-06	Drawn 1'-0"